
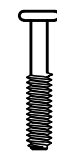
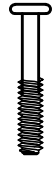

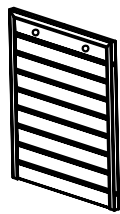
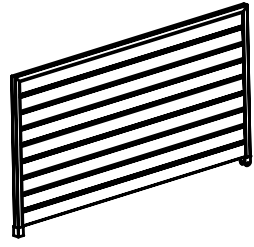
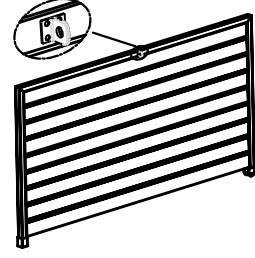
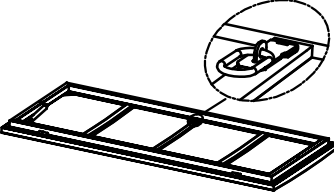

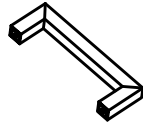
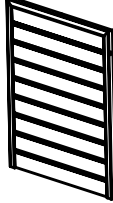
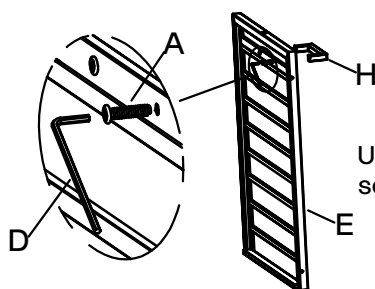
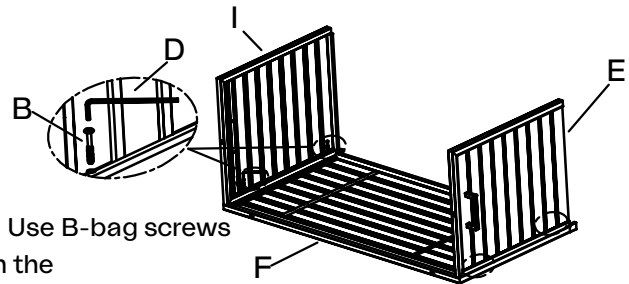


A	B	C	D	E	F	K
A-bag screws	B-bag screws	C-bag screws				
						
M6*25	M6*45	M6*50	4mm			
2PCS	8PCS	6PCS	1PC	1PC	1PC	1PC
R		Y		H	I	
						
1PC		1PC		1PC	1PC	

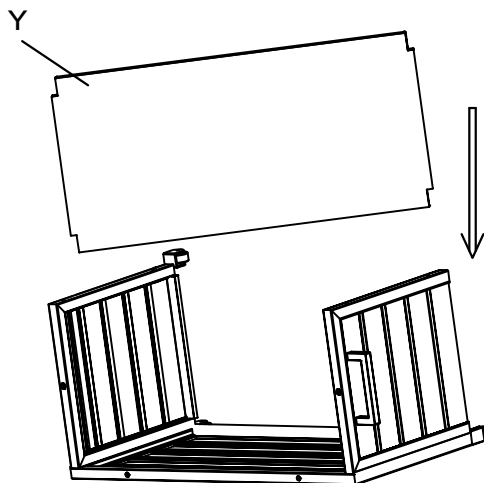


Use A-bag screws

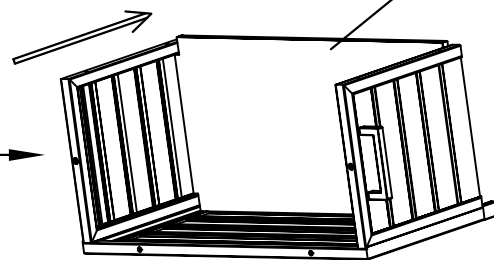


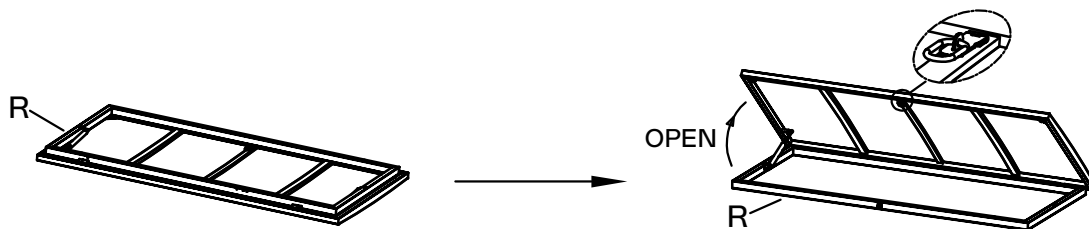
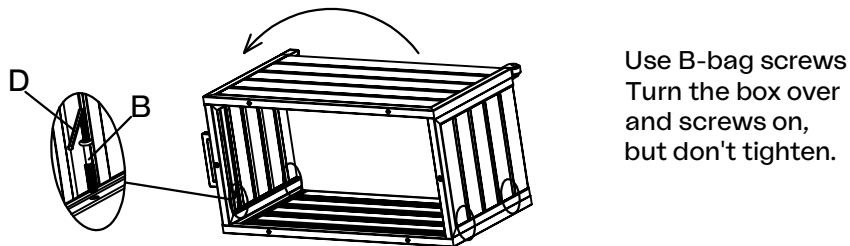
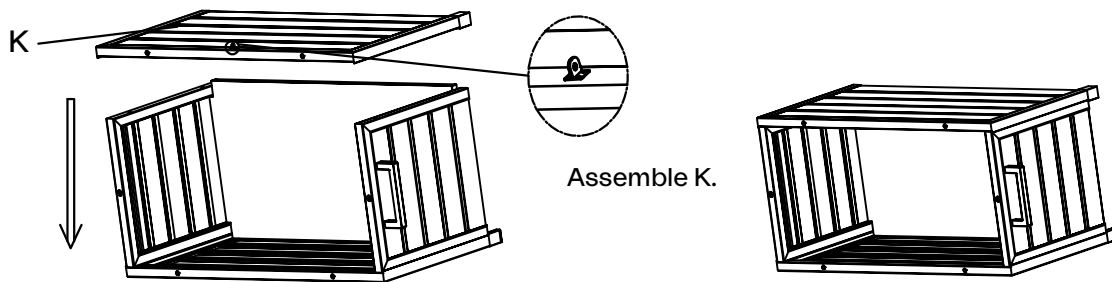
Use B-bag screws

Don't tighten the screws until you have all screws on.

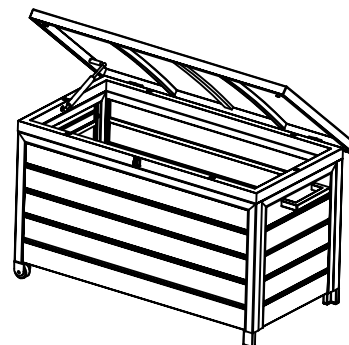
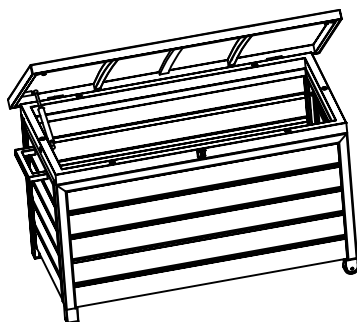
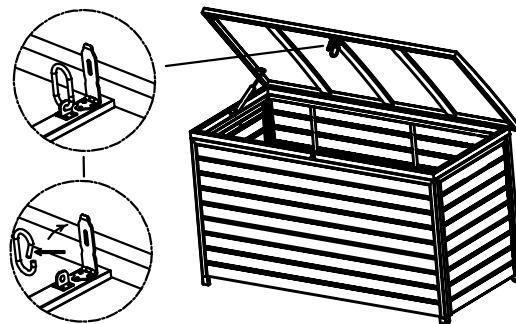
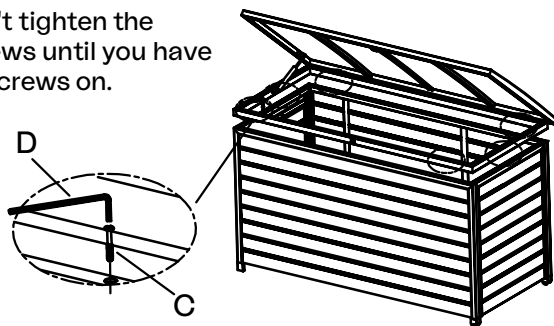


Place Y lean 45°, and put it into the bottom.





Use C-bag screws
Don't tighten the
screws until you have
all screws on.



If it`s needed, you could just reverse
I&E (other assembly steps are the same)
to get above cushion box, handle on the
right, wheels on the left.