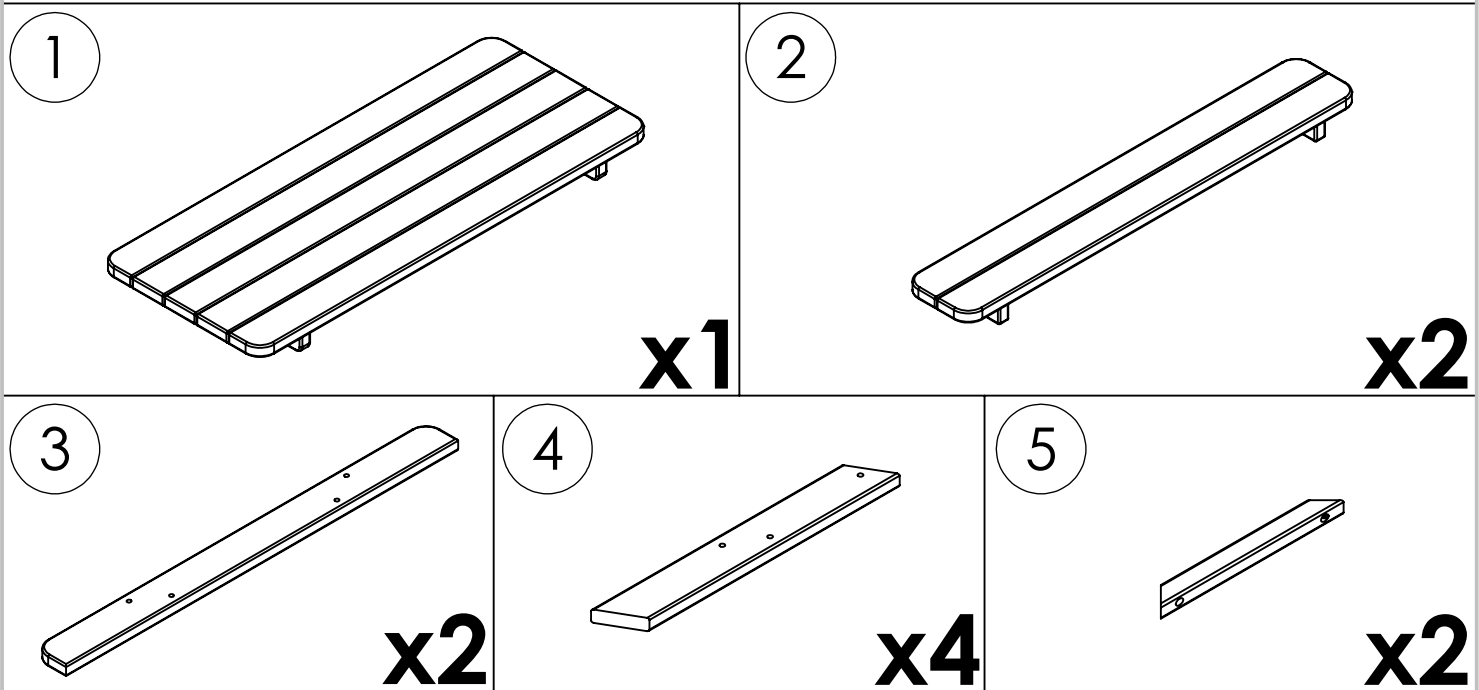
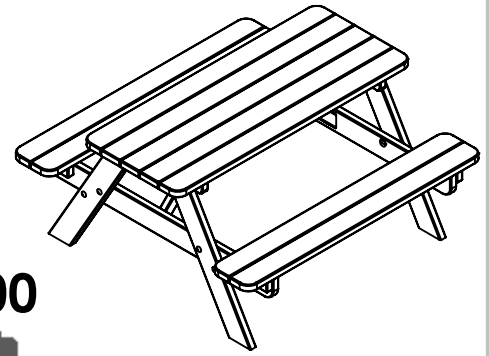
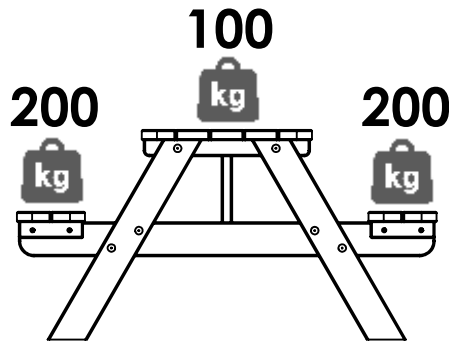
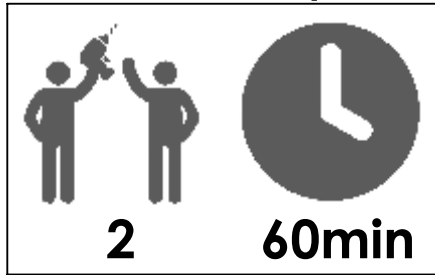
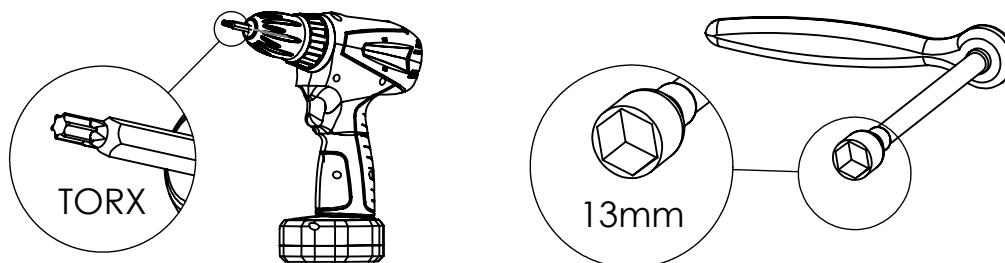


# Brafab

## Assembly instruction

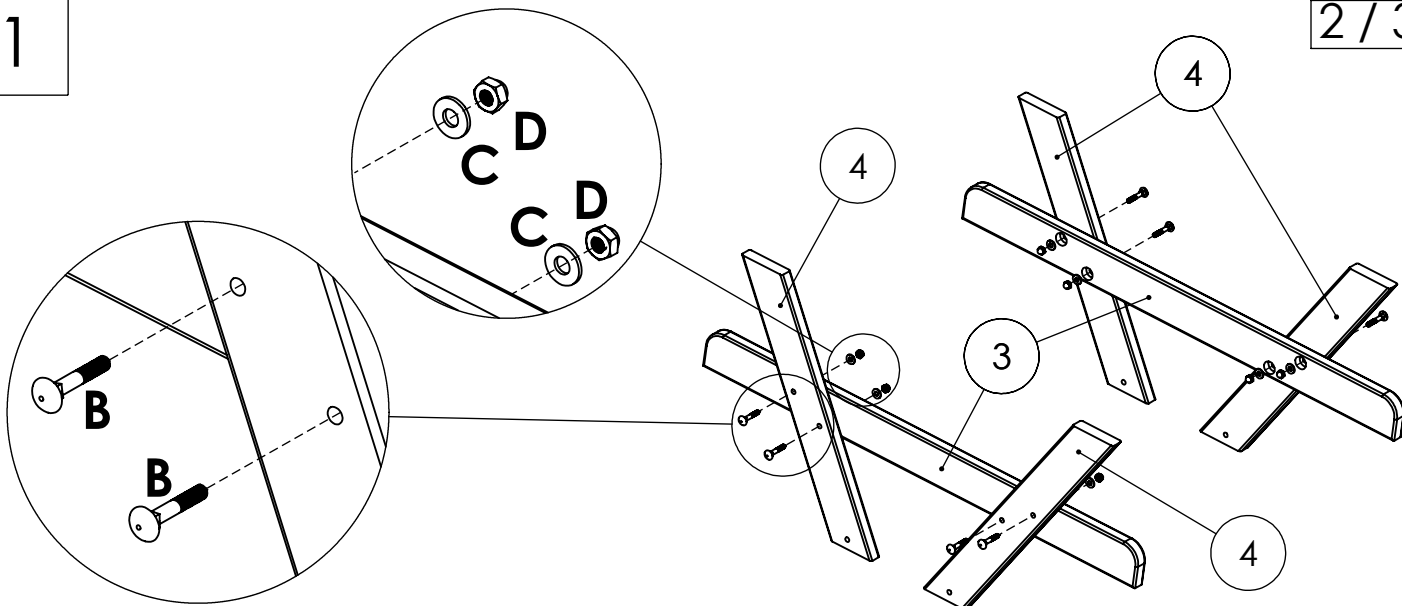


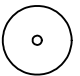

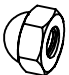
**IMPORTANT!**  
Do not tighten screws during assembly.  
All screws must be tightened up only at the end of assembly.

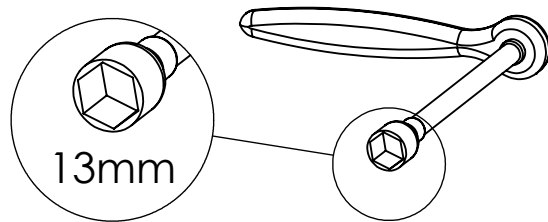


|          |  |               |            |
|----------|--|---------------|------------|
| <b>A</b> |  | <b>5x40 T</b> | <b>x12</b> |
| <b>B</b> |  | <b>M8x50</b>  | <b>x12</b> |
| <b>C</b> |  | <b>M8</b>     | <b>x12</b> |
| <b>D</b> |  | <b>M8</b>     | <b>x12</b> |

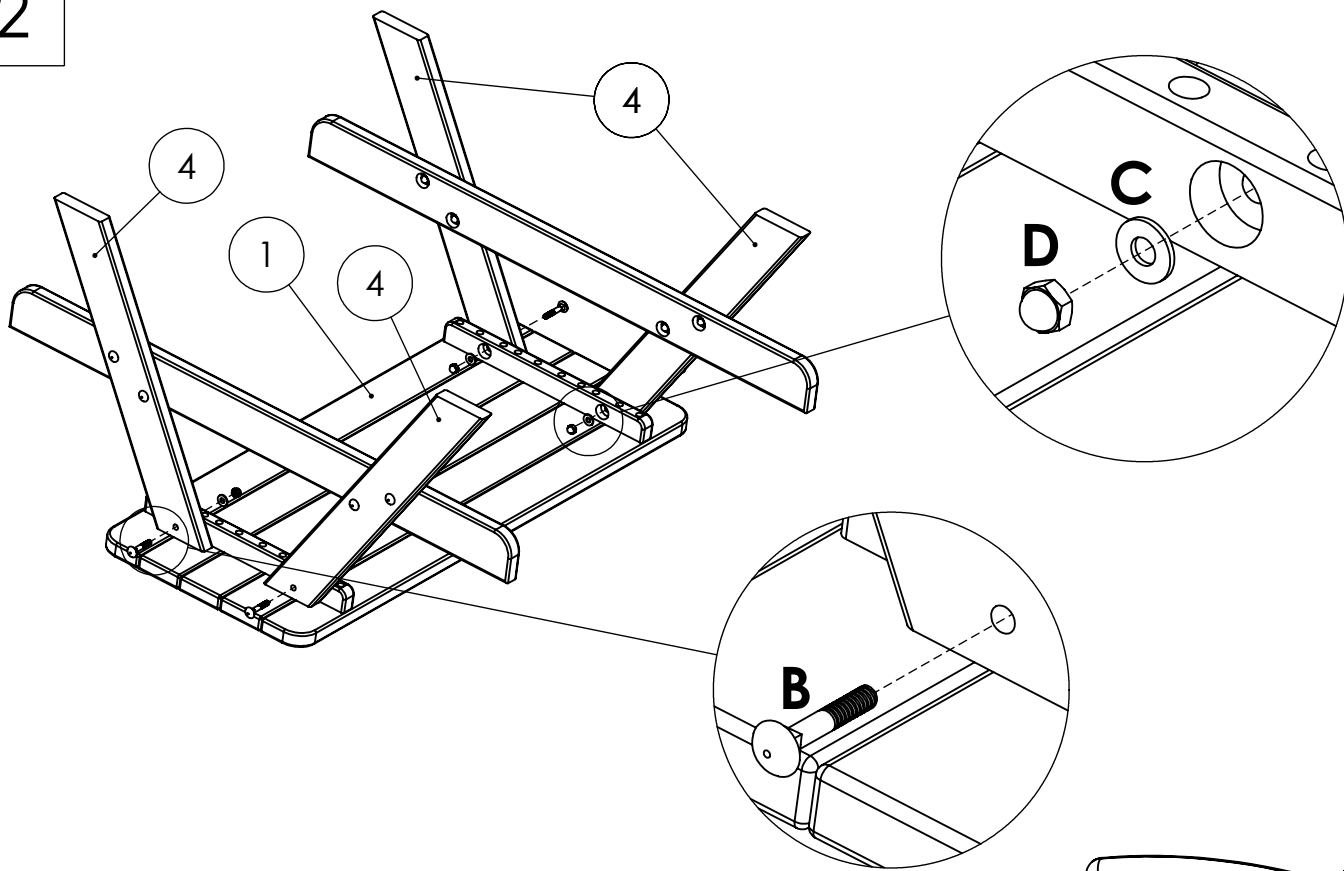
1

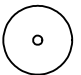

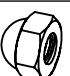


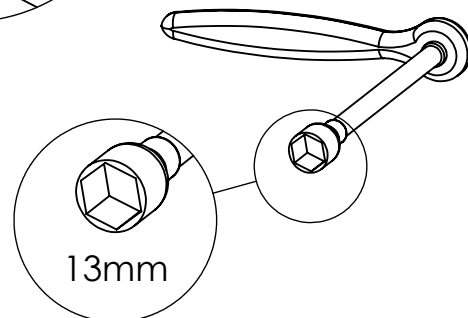
|          |   |              |           |
|----------|---|--------------|-----------|
| <b>B</b> |  | <b>M8x50</b> | <b>x8</b> |
| <b>C</b> |  | <b>M8</b>    | <b>x8</b> |
| <b>D</b> |  | <b>M8</b>    | <b>x8</b> |



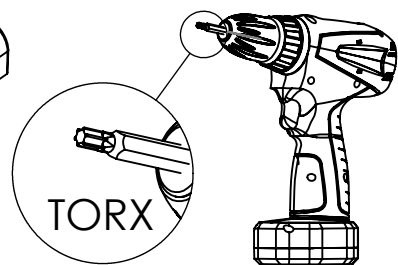
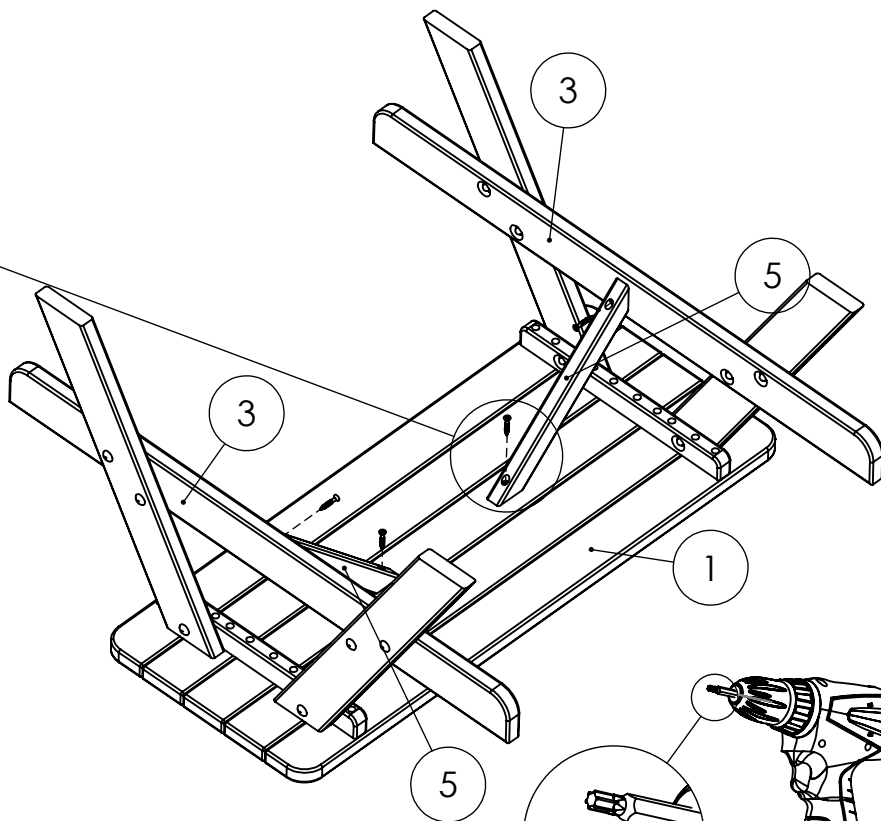
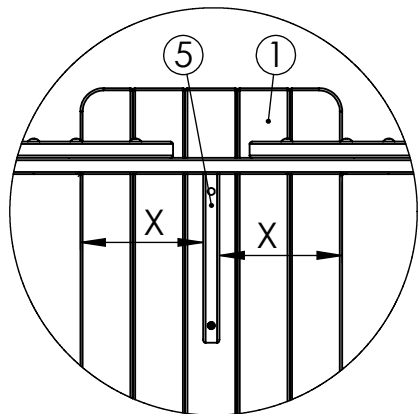
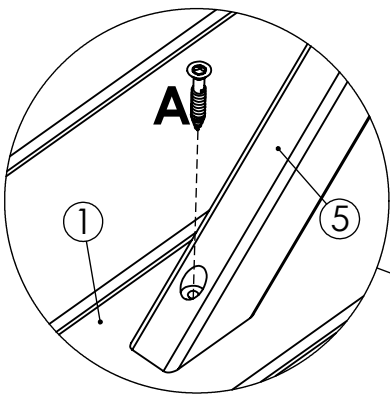
2




|          |   |              |           |
|----------|---|--------------|-----------|
| <b>B</b> |  | <b>M8x50</b> | <b>x4</b> |
| <b>C</b> |  | <b>M8</b>    | <b>x4</b> |
| <b>D</b> |  | <b>M8</b>    | <b>x4</b> |

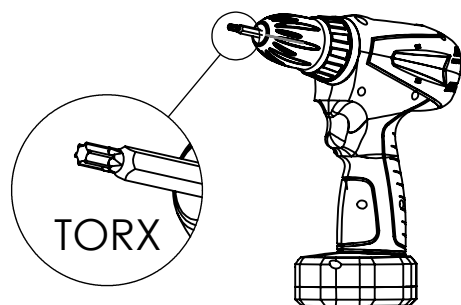
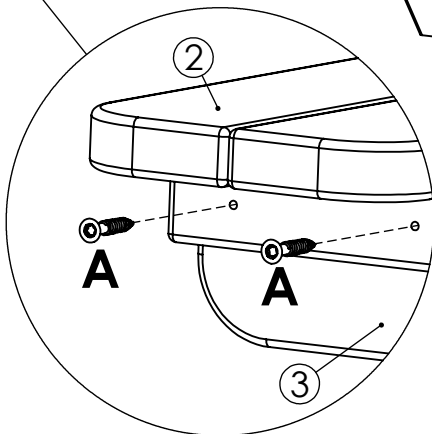
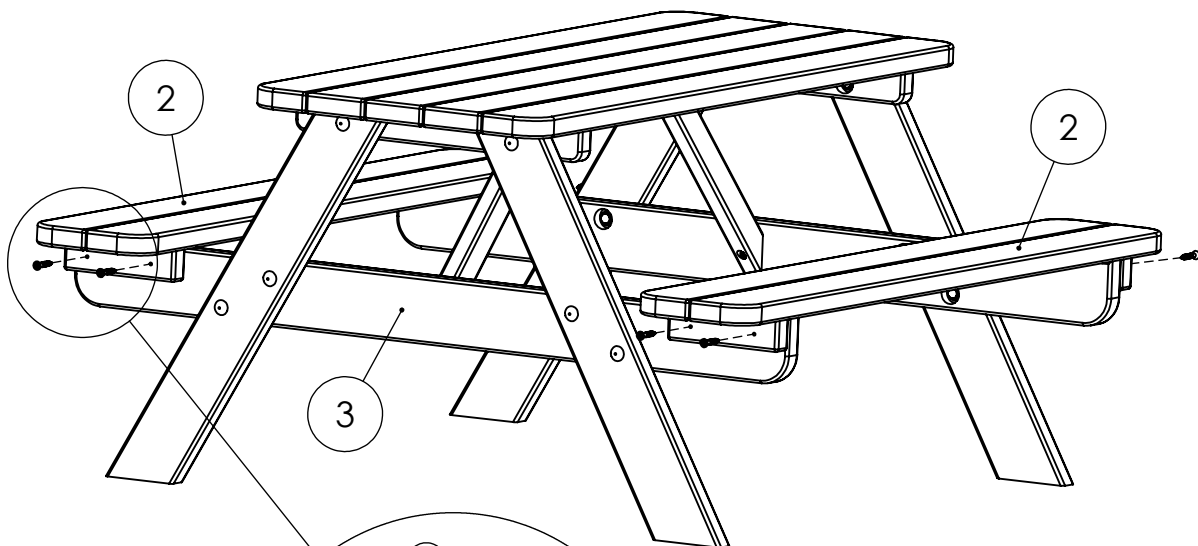



3



**A**  **5x40 T x4**

4



**A**  **5x40 T x8**