

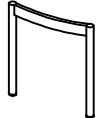

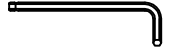


### Assembly instruction

Article number: 2691-73-710/  
2691-32-710

<b>A</b>		1
<b>B</b>		1
<b>C</b>		1
<b>D</b>	 M6*30	8
<b>E</b>		1

①

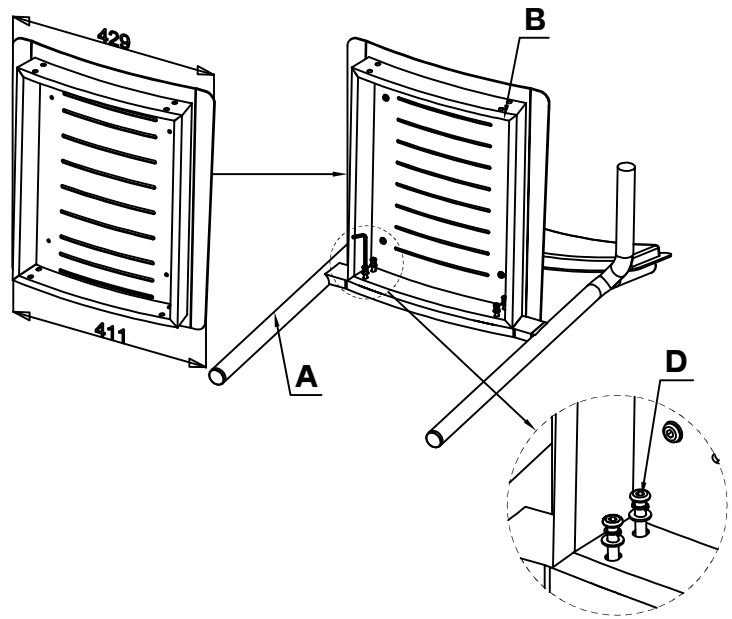


Diagram 1 shows the assembly of the chair backrest. Part A (a leg) is inserted into the backrest frame. Part B (the backrest) is attached to the frame. Dimensions 420 and 411 are indicated. Part D (screws) are used to secure the backrest to the frame. A circular inset shows a close-up of the screw assembly.

②

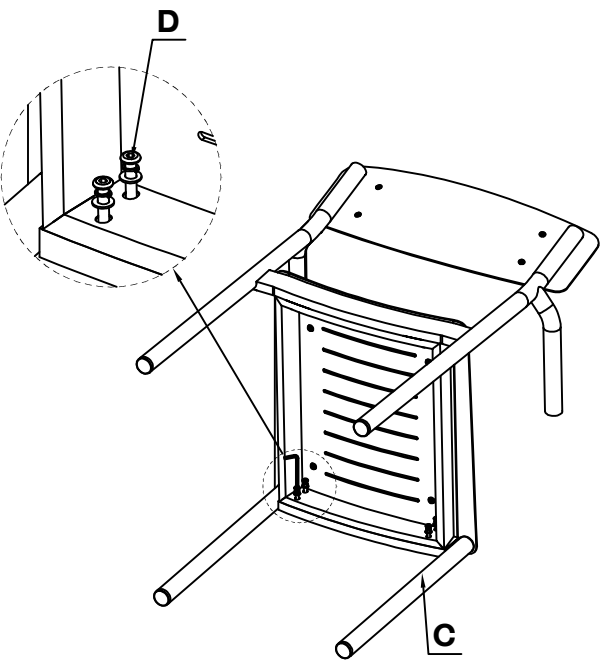


Diagram 2 shows the assembly of the chair seat. Part C (a leg) is inserted into the seat frame. Part D (screws) are used to secure the seat to the frame. A circular inset shows a close-up of the screw assembly.

③

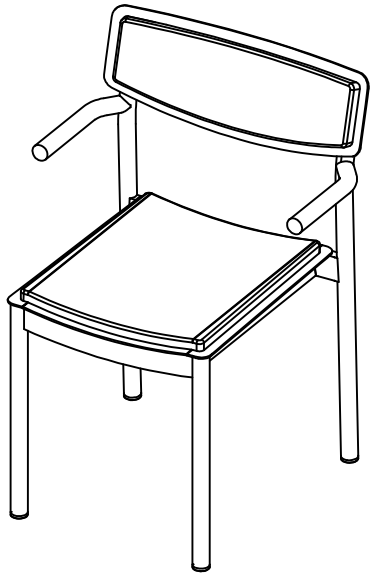


Diagram 3 shows the final assembled chair.