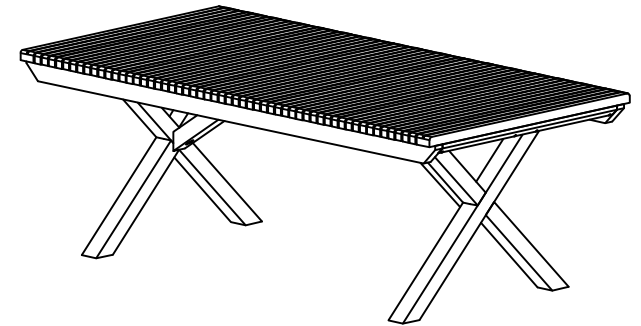
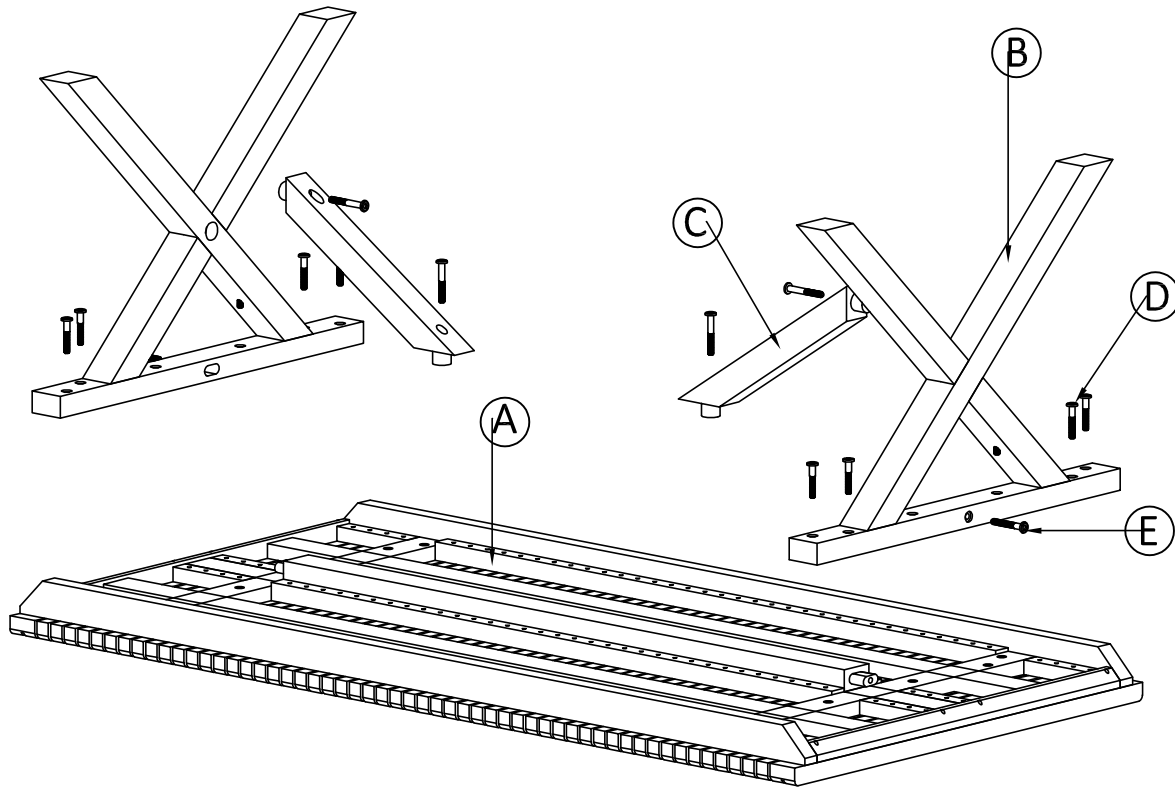
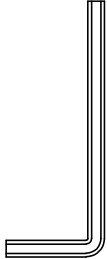
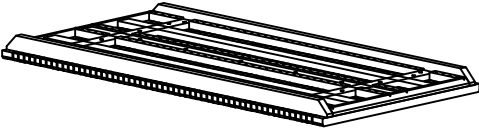
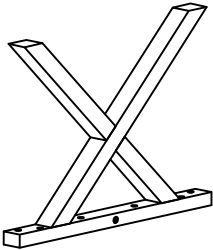
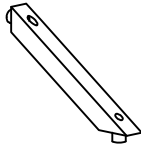




Assembly Intruction



| | | | | | | | | |
|---|-------|---|-------|---|-------|-----|--------|--|
| A | 1 pcs | B | 2 pcs | C | 2 pcs | D | 16 pcs |  L.5 |
|  | |  | |  | | L.5 | 40 mm | |
|  | |  | | E | 2 pcs | L.5 | 55 mm | |