

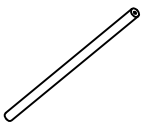
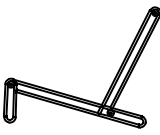
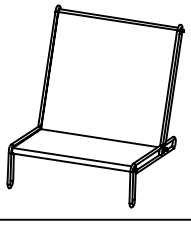

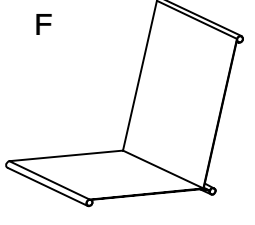
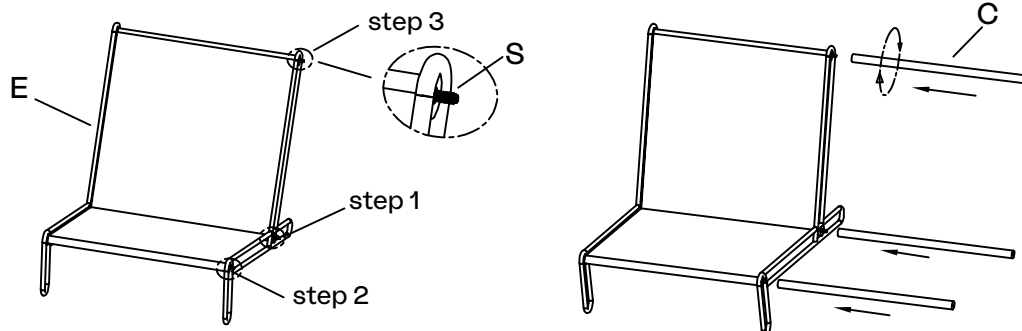
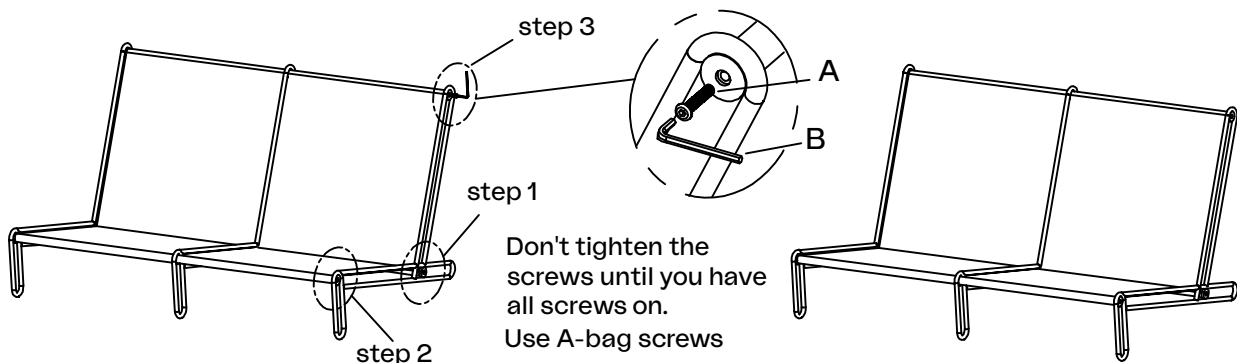
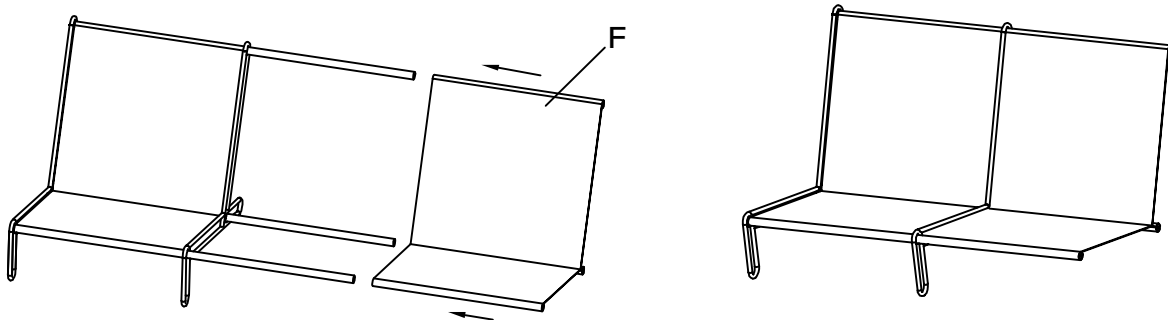


A	B	C	D	E	S	F
A-bag screws					B-bag screws	
						
M8*20	4mm				M8*50	1PC
3PCS	1PC	3PCS	1PC	1PC	3PCS	Pay attention to distinguish the length of Textilene, the long side is back and short side is seat.



For easier assembly, We suggest assemble middle and front pole first, and then fix the screw for the backrest one.

tighten the "C" before assemble the "F"



For easier assembly, We suggest assemble middle and front pole first, and then fix the screw for the backrest one.