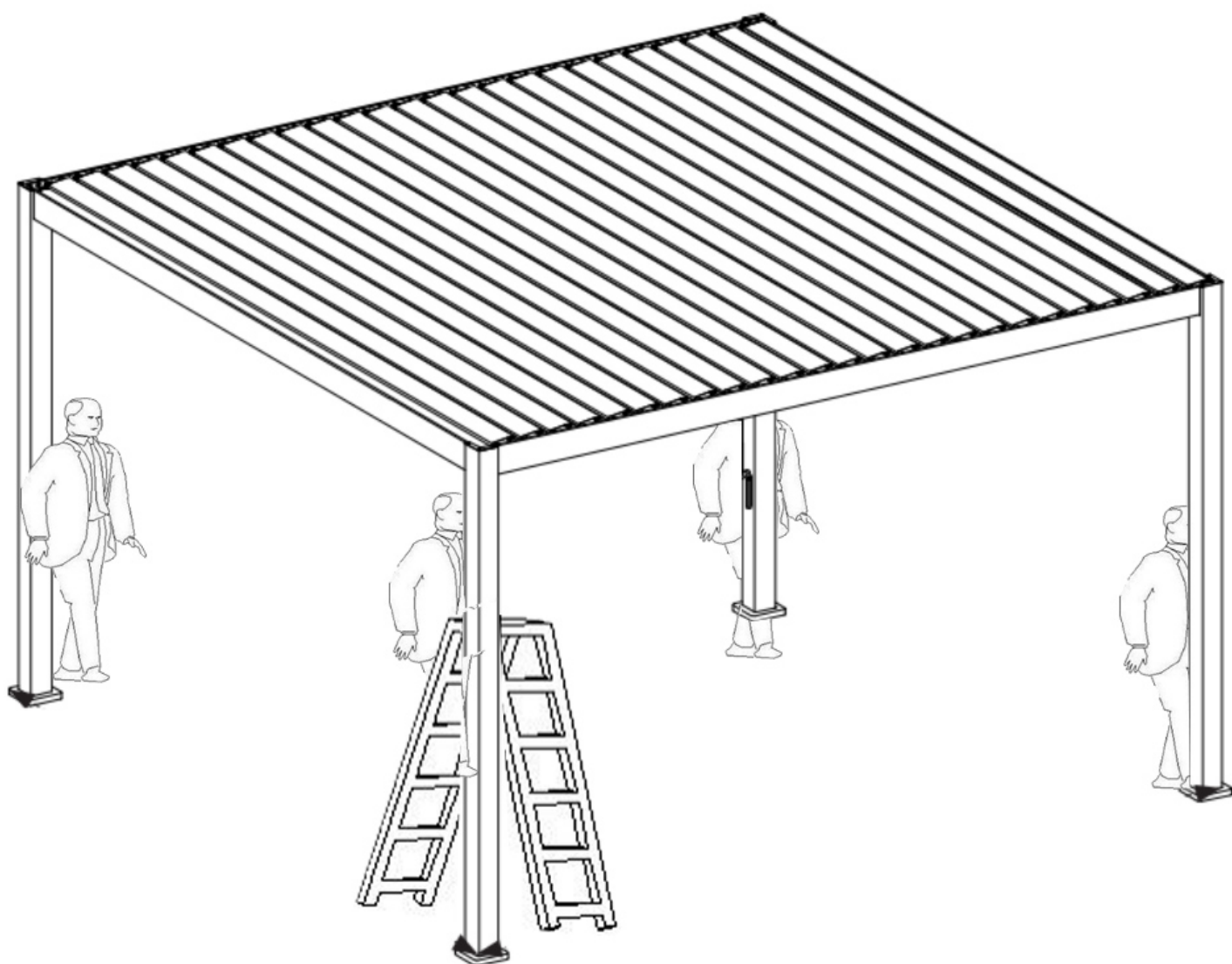


Assembly Instruction

SOMBRA Pergola 300x300cm

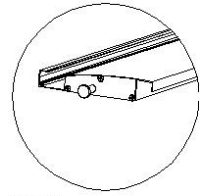
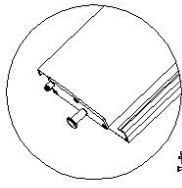
Item number: 7776-73



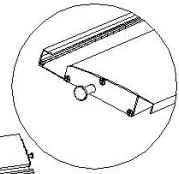
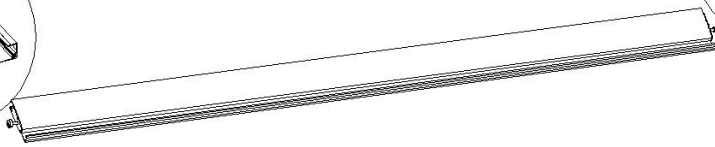
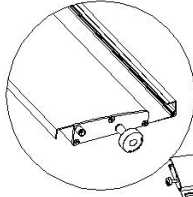
Brafab

PARTS LIST

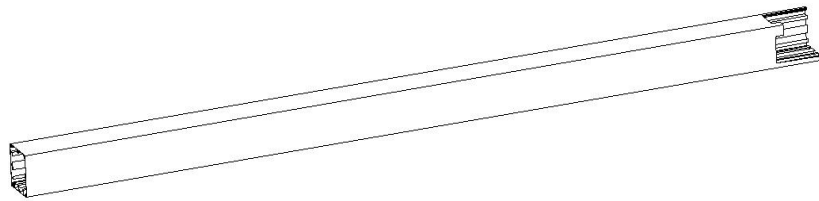
A1



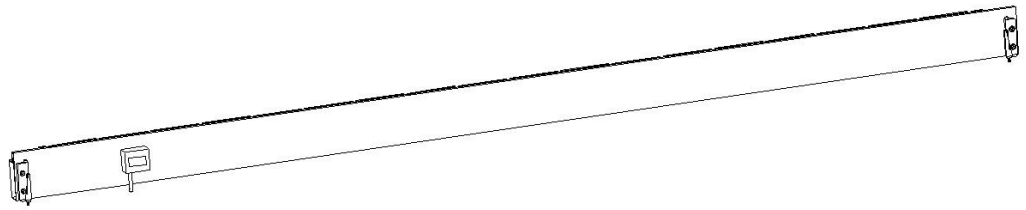
A2



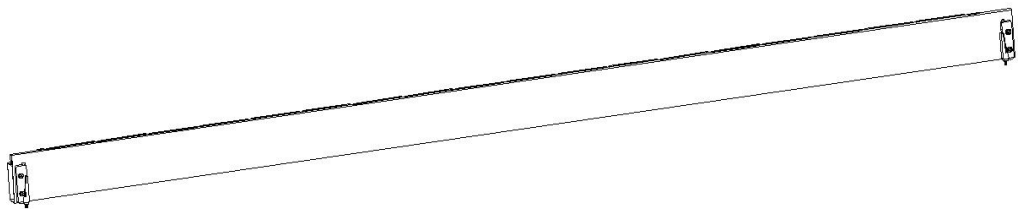
B



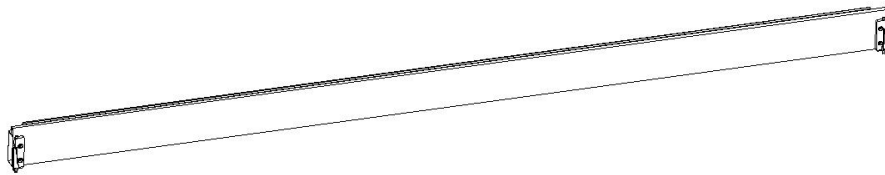
C1



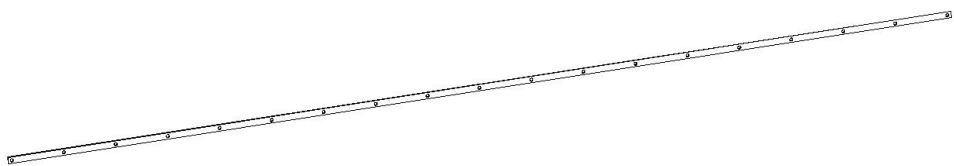
C2



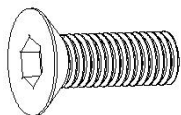
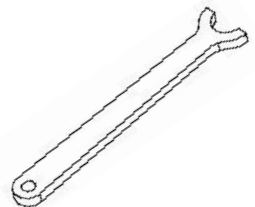
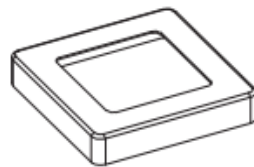
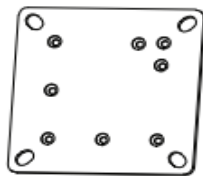
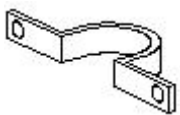
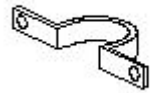
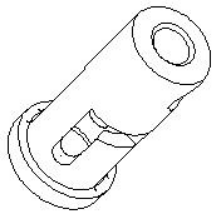
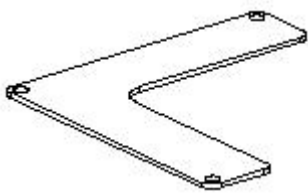
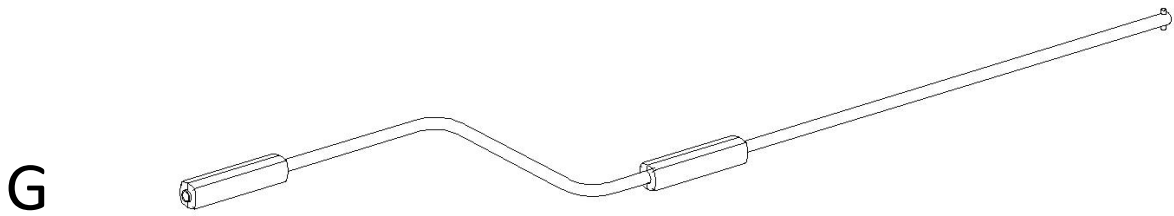
D



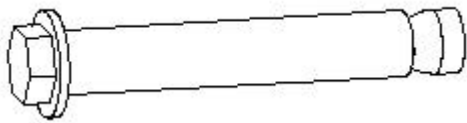
E



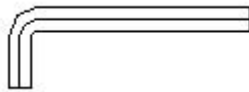
PARTS LIST



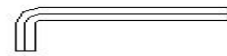
PARTS LIST



U



V



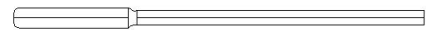
W



X



Y



Z

Part	Qty	Carton	Part	Qty	Carton	Part	Qty	Carton
A1	18	3&4	I	1	1	S	14	1
A2	1	4	J	22	1	T	26	1
B	4	1	K	2	1	U	16	1
C1	1	2	L	2	1	V	1	1
C2	1	2	M	4	1	W	1	1
D	2	2	N	4	1	X	1	1
E	1	2	O	1	1	Y	1	1
F	2	2	Q	2	1	Z	1	1
G	1	2	R	1	1			
H	4	1						

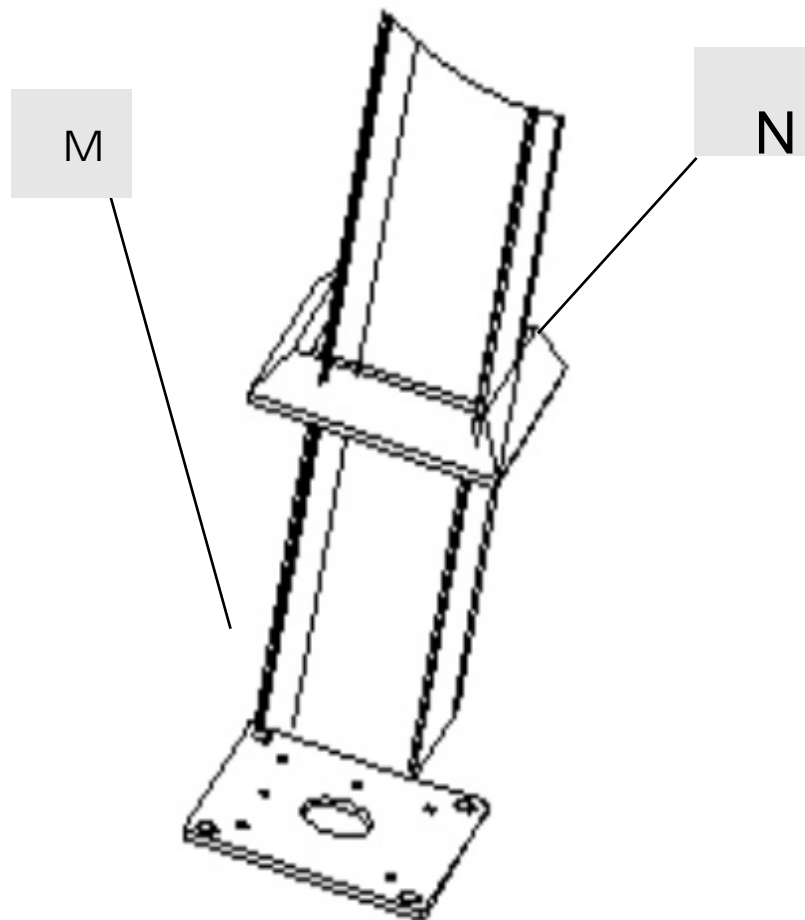
ASSEMBLY

INSTRUCTIONS

ASSEMBLY

STEP 1

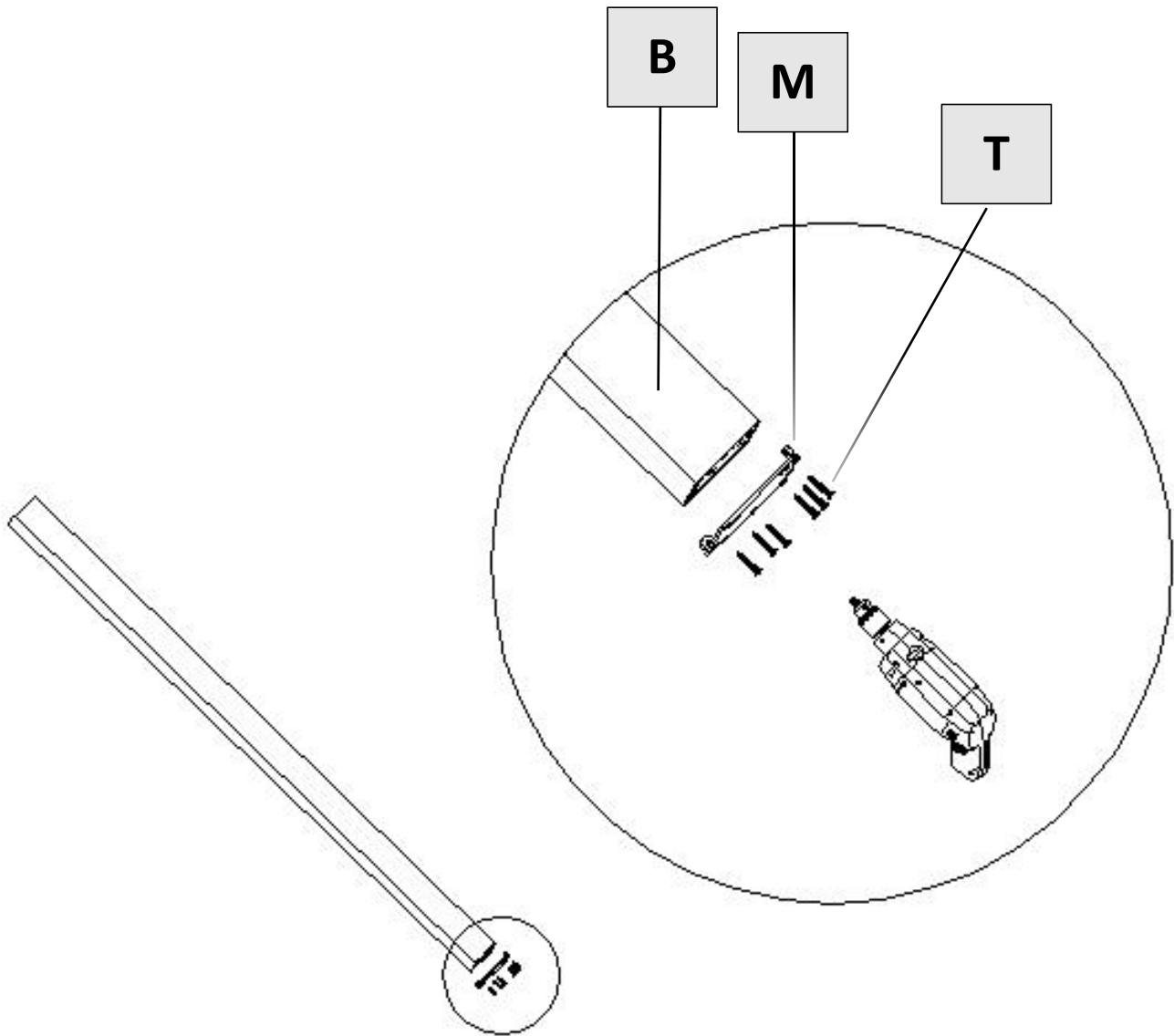
put "N" first, then put "M"



ASSEMBLY INSTRUCTIONS

ASSEMBLY

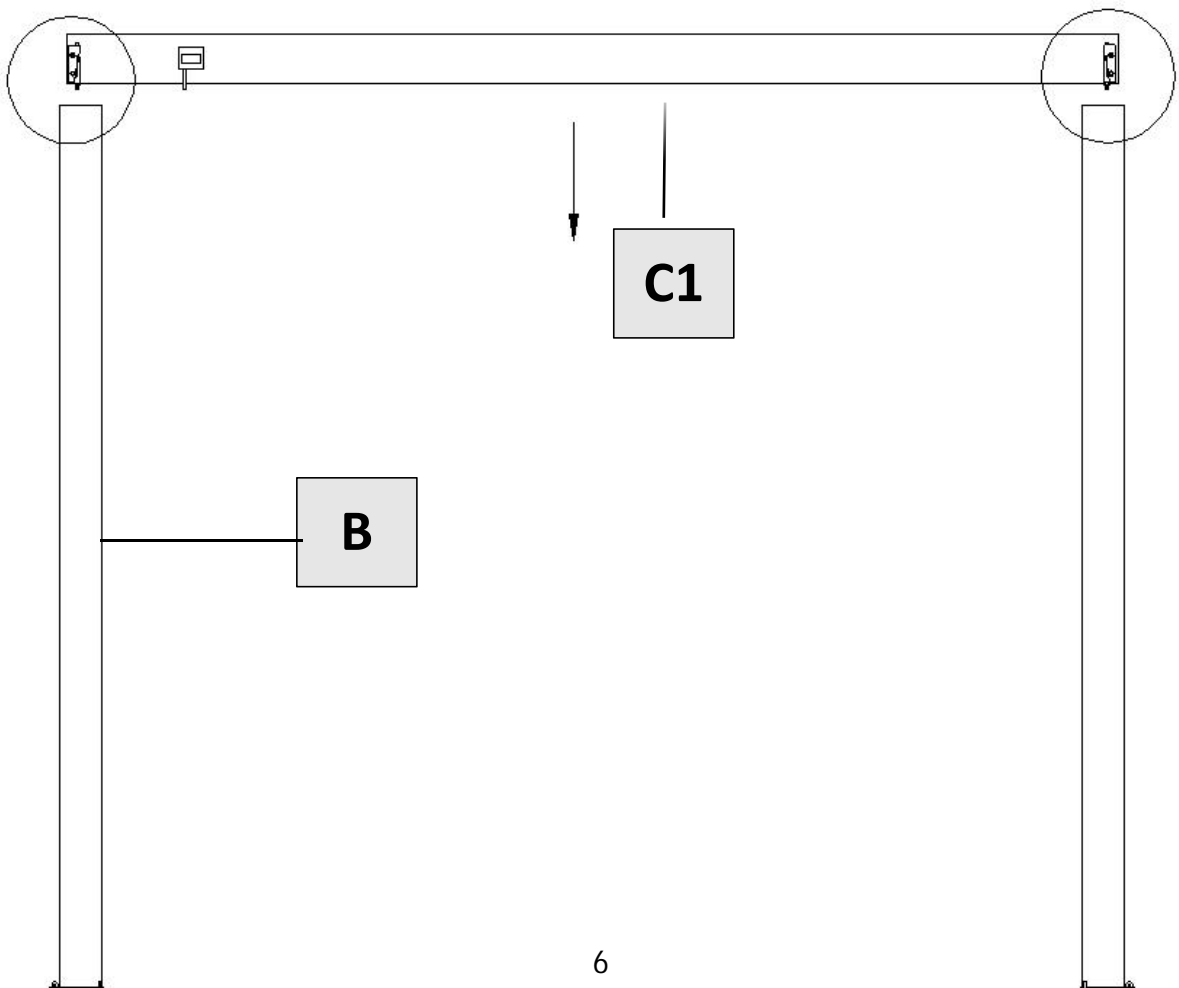
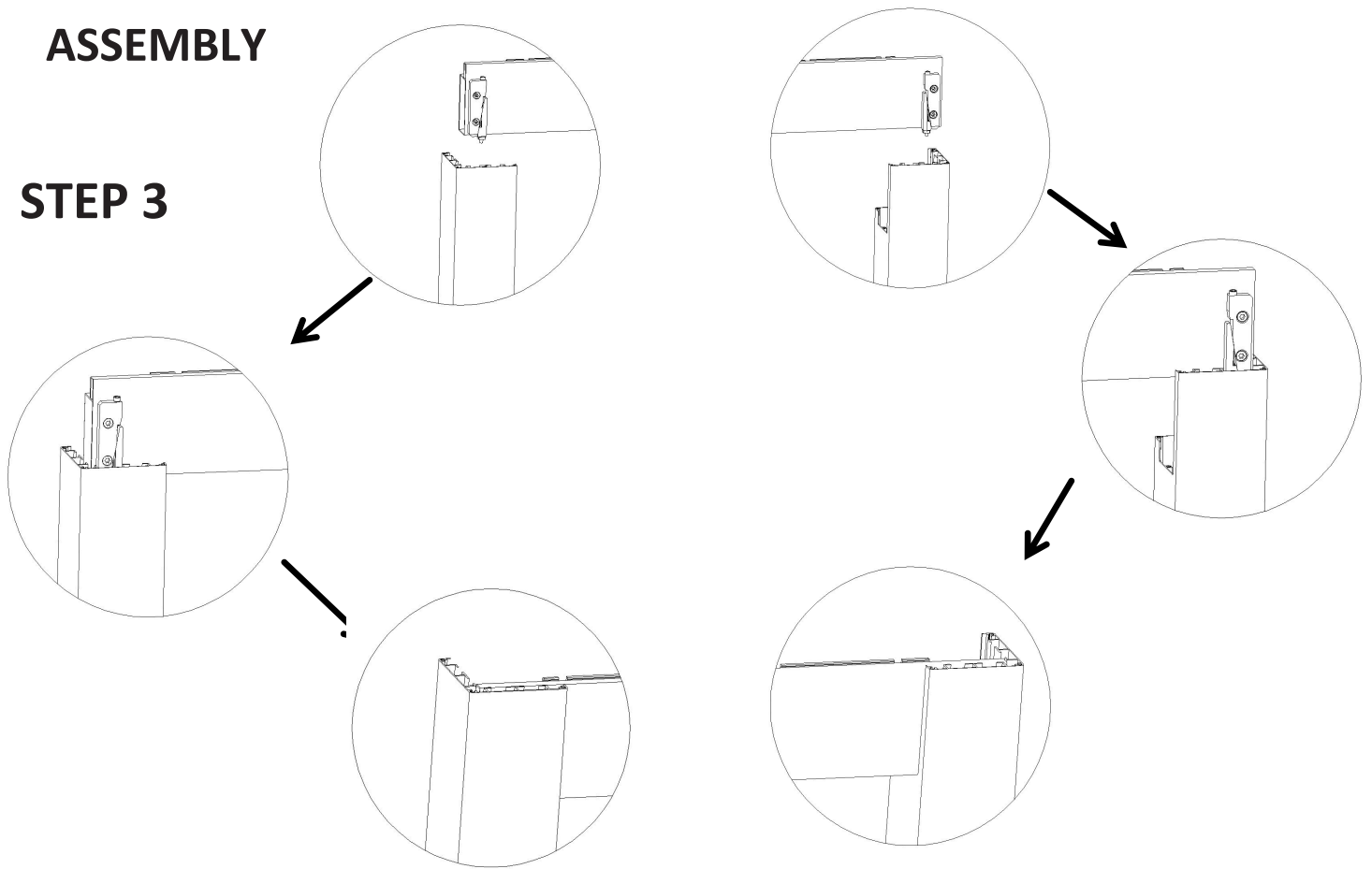
STEP 2



ASSEMBLY INSTRUCTIONS

ASSEMBLY

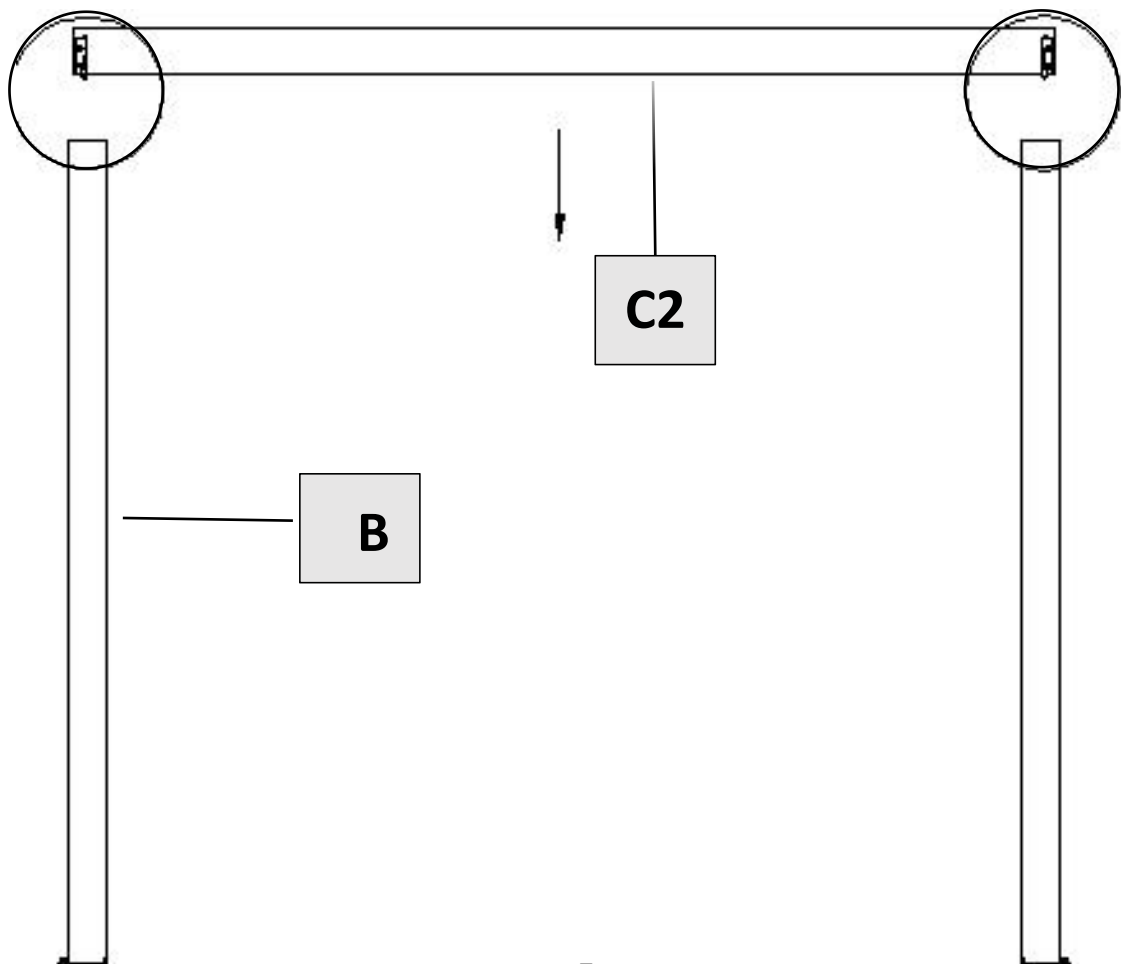
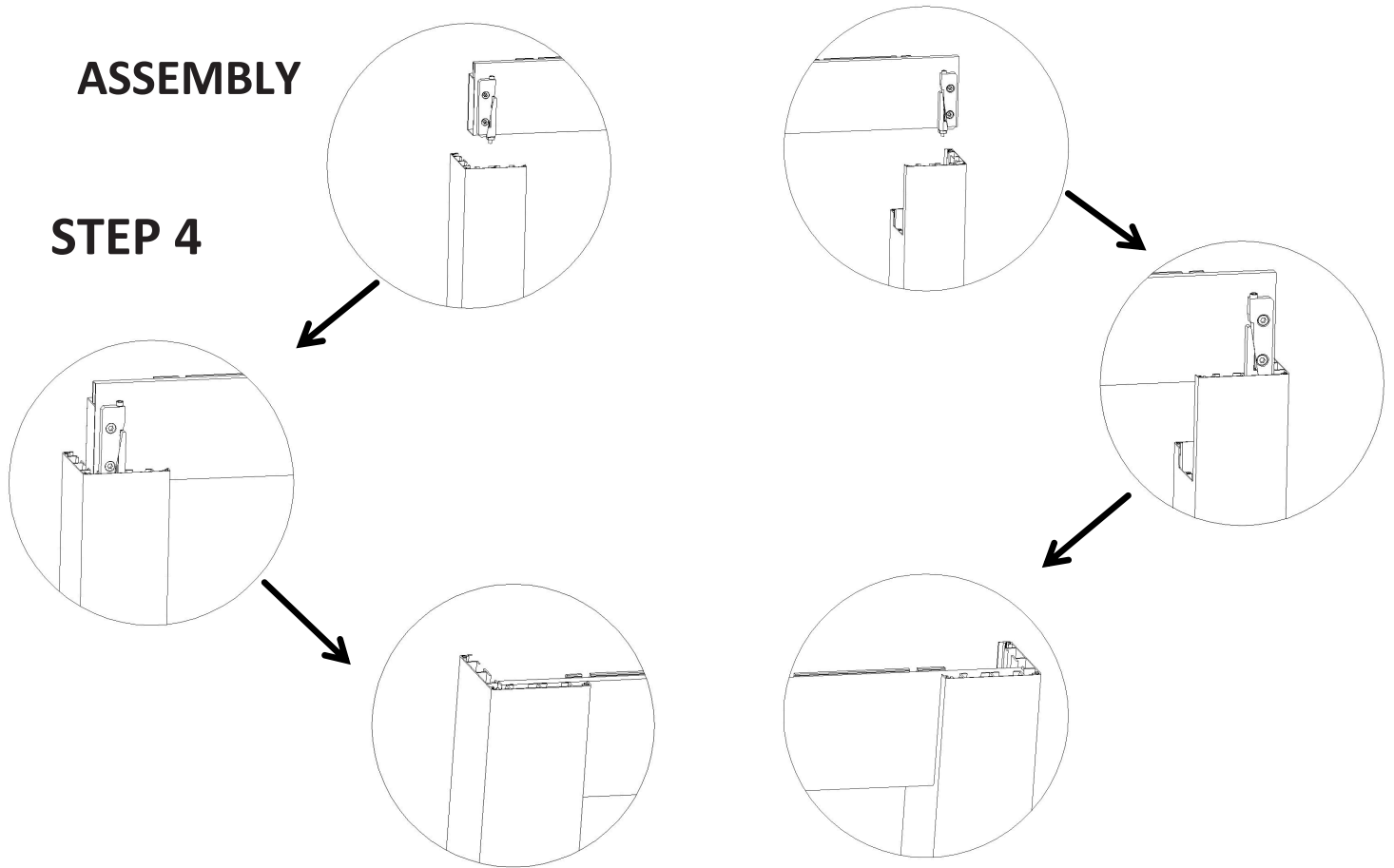
STEP 3



ASSEMBLY INSTRUCTIONS

ASSEMBLY

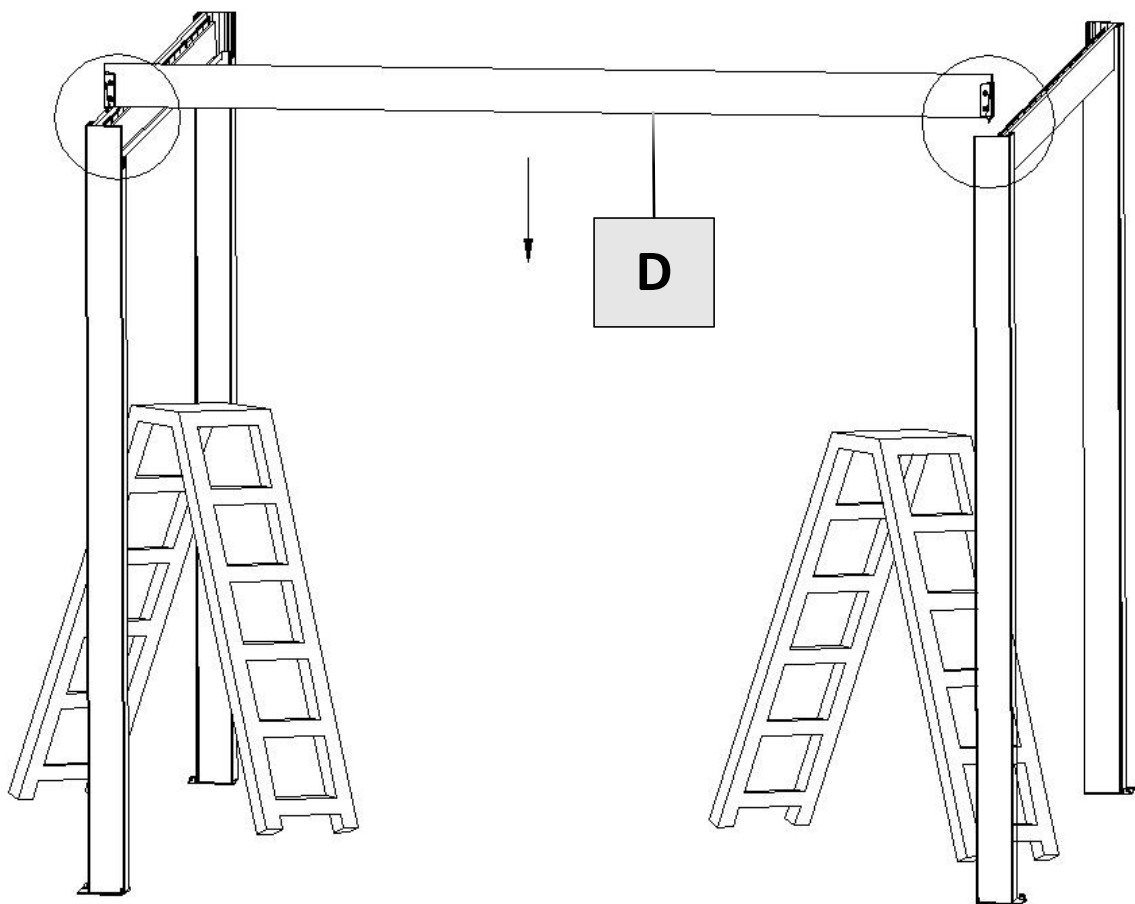
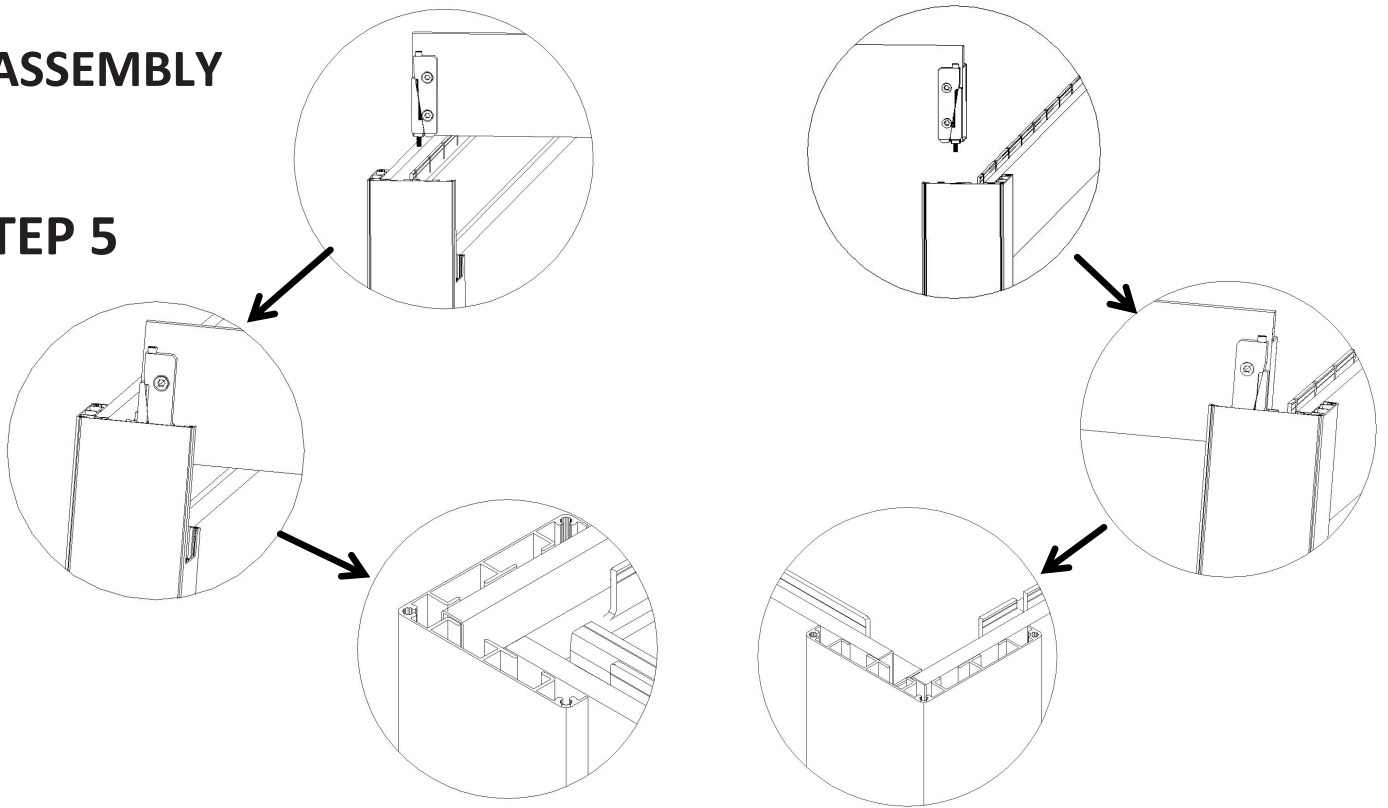
STEP 4



ASSEMBLY INSTRUCTIONS

ASSEMBLY

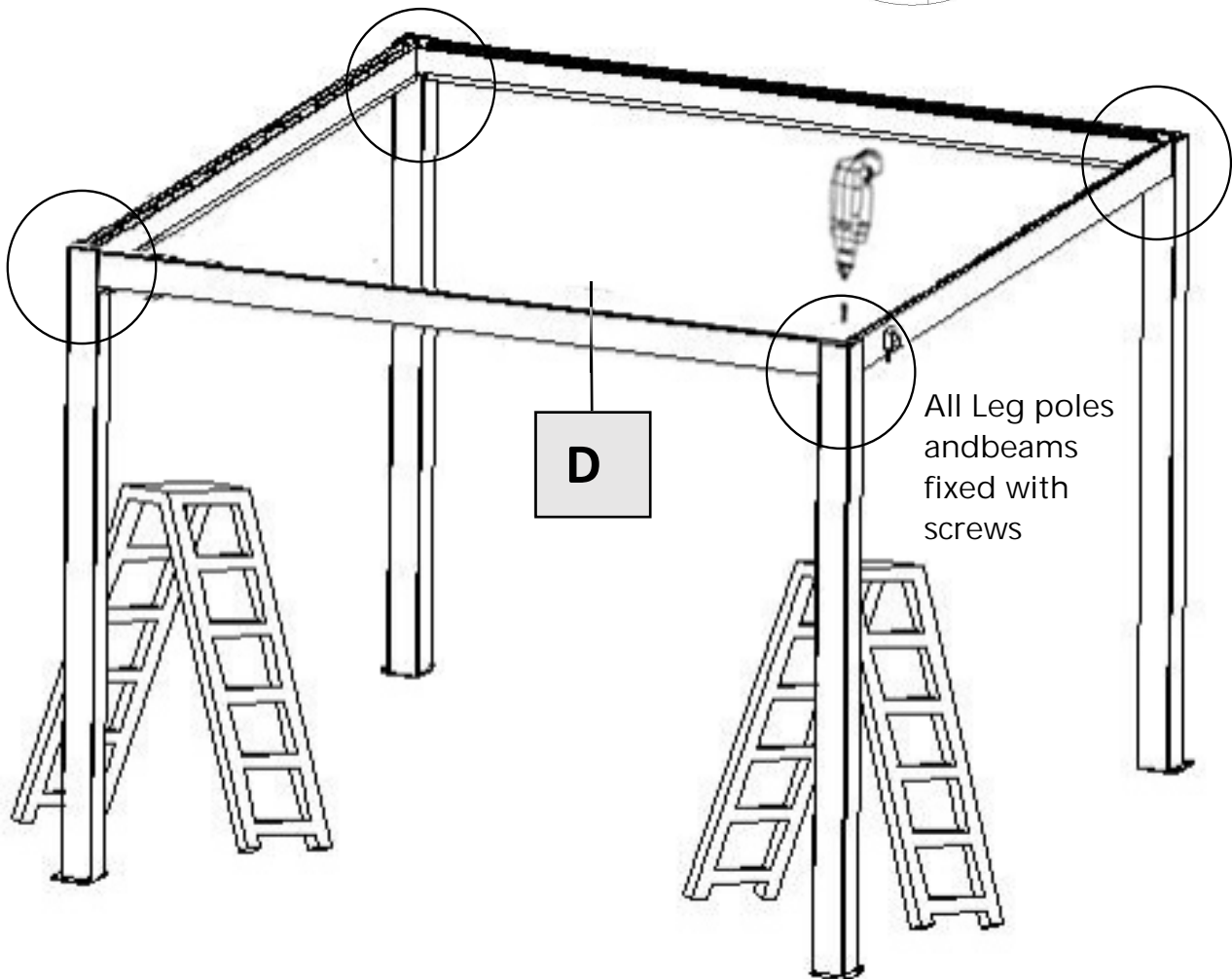
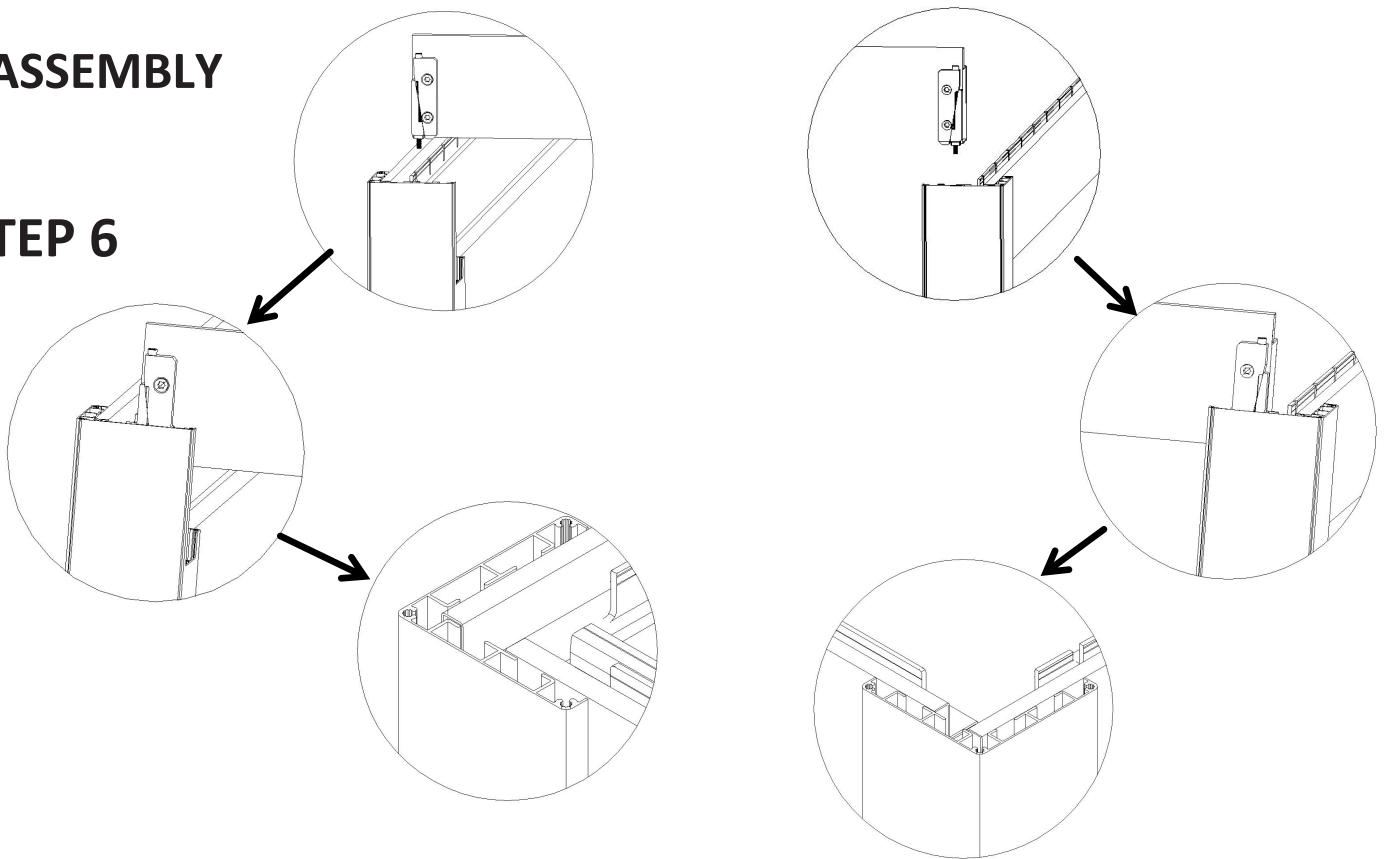
STEP 5



ASSEMBLY INSTRUCTIONS

ASSEMBLY

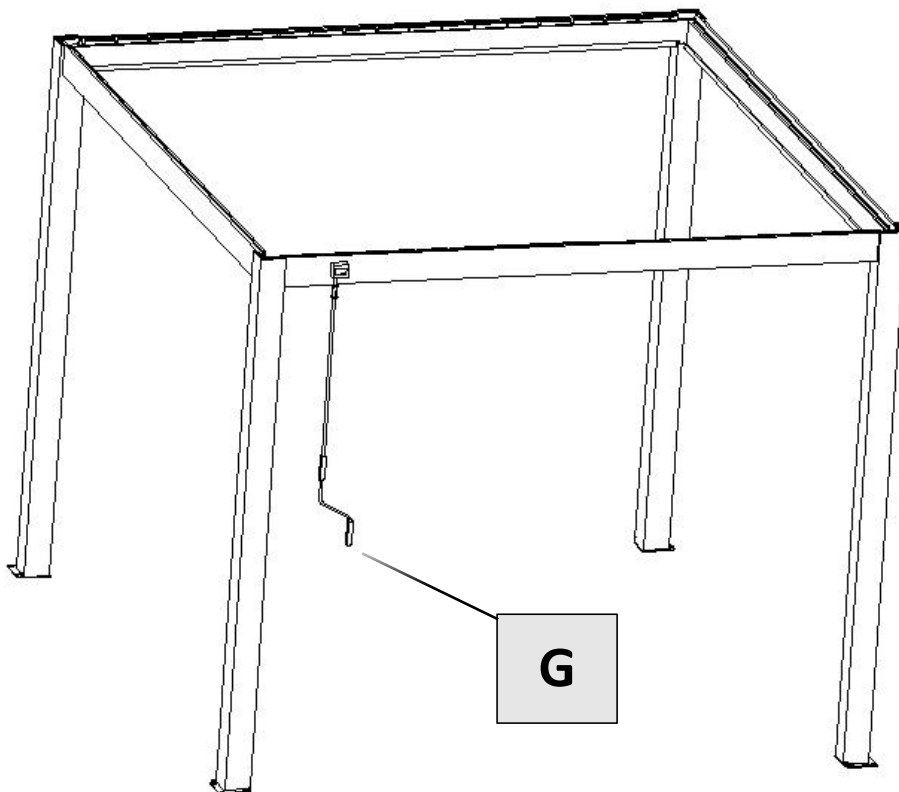
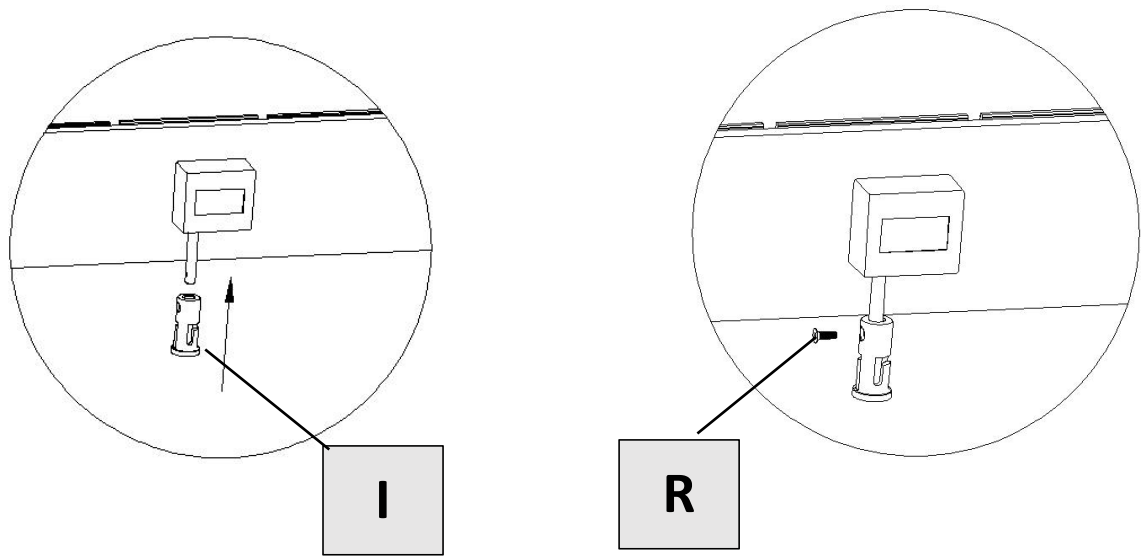
STEP 6



ASSEMBLY INSTRUCTIONS

ASSEMBLY

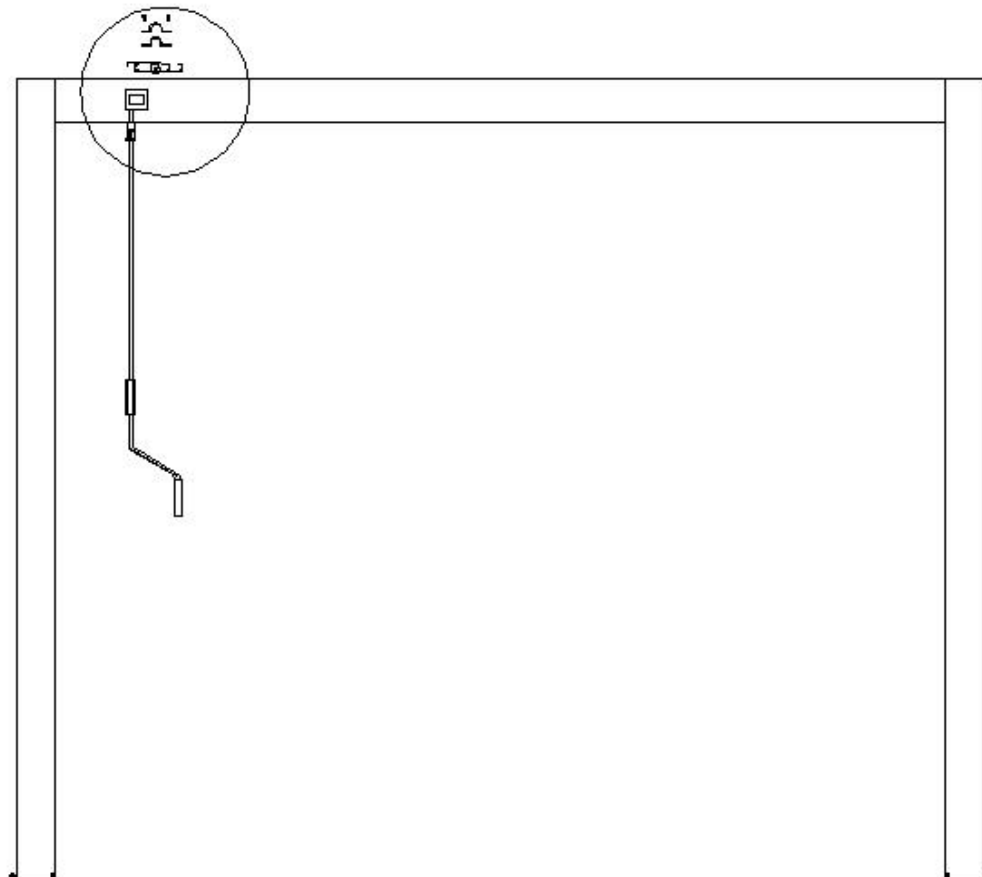
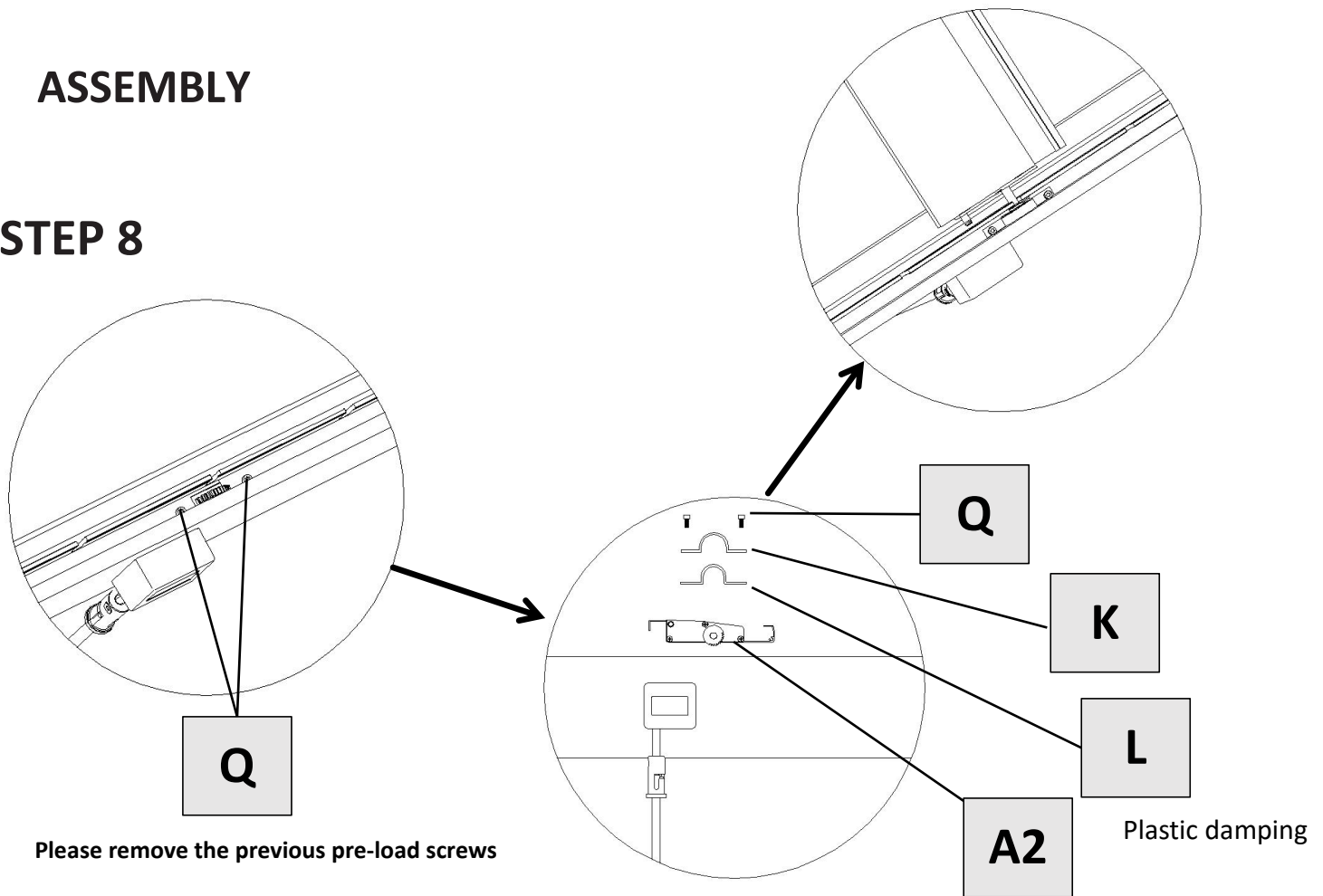
STEP 7



ASSEMBLY INSTRUCTIONS

ASSEMBLY

STEP 8

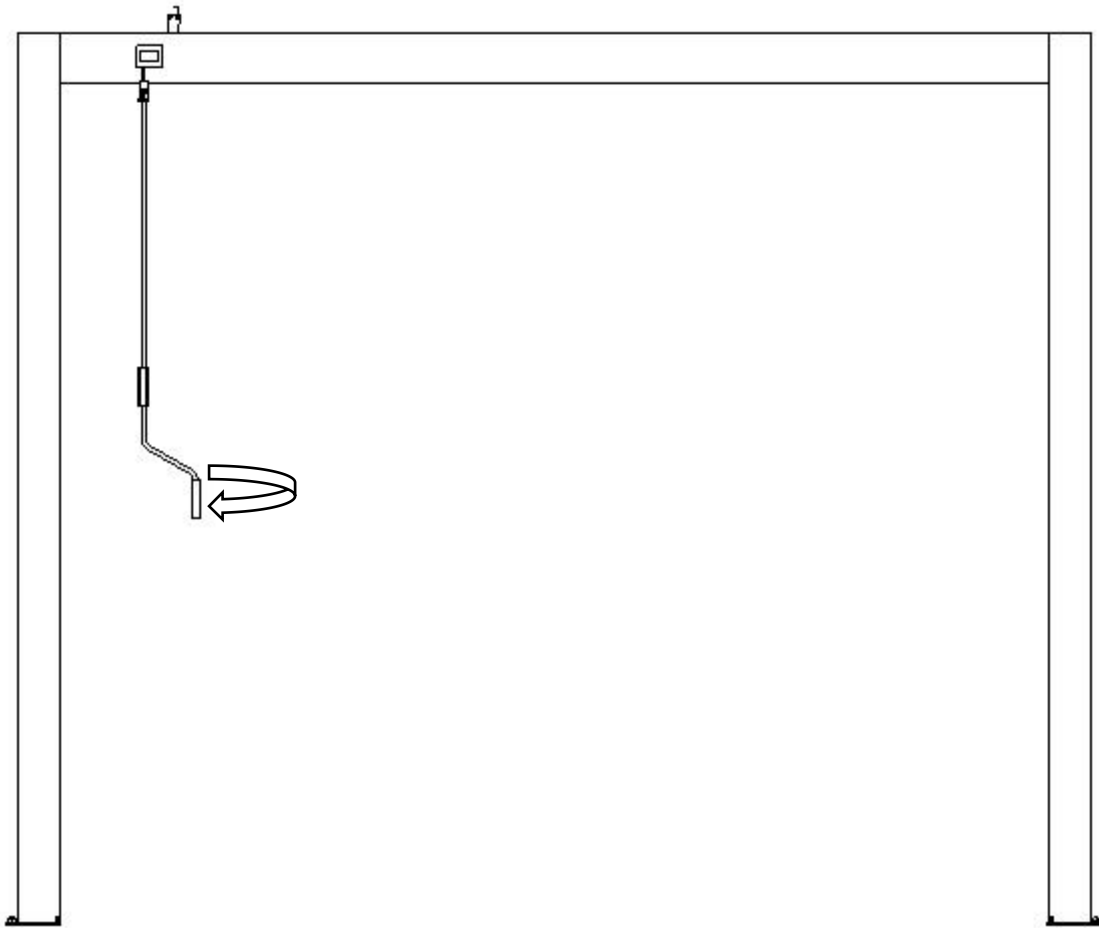


ASSEMBLY INSTRUCTIONS

ASSEMBLY

STEP 9

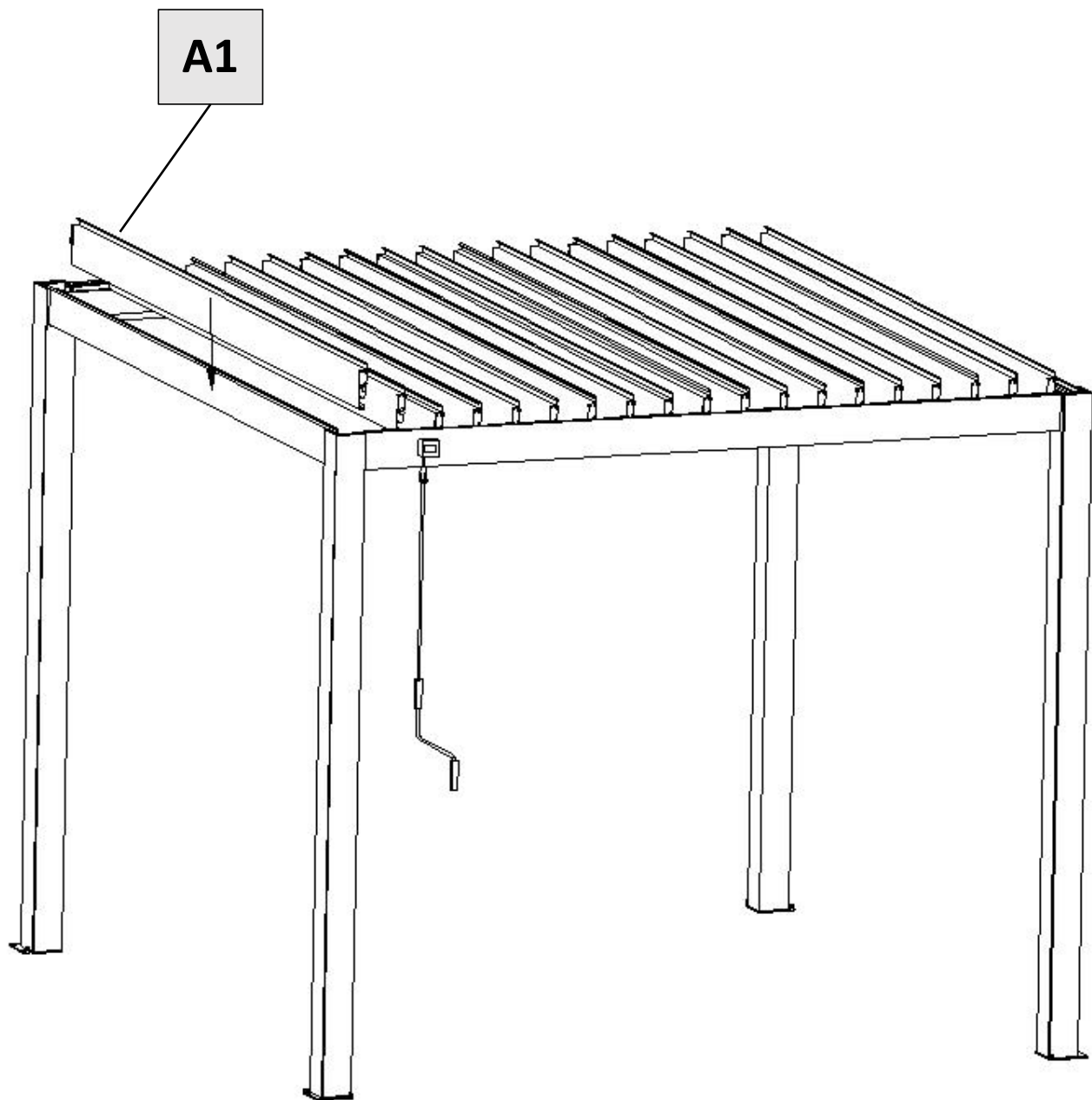
Open clockwise and position the louver vertically.



ASSEMBLY INSTRUCTIONS

ASSEMBLY

STEP 10

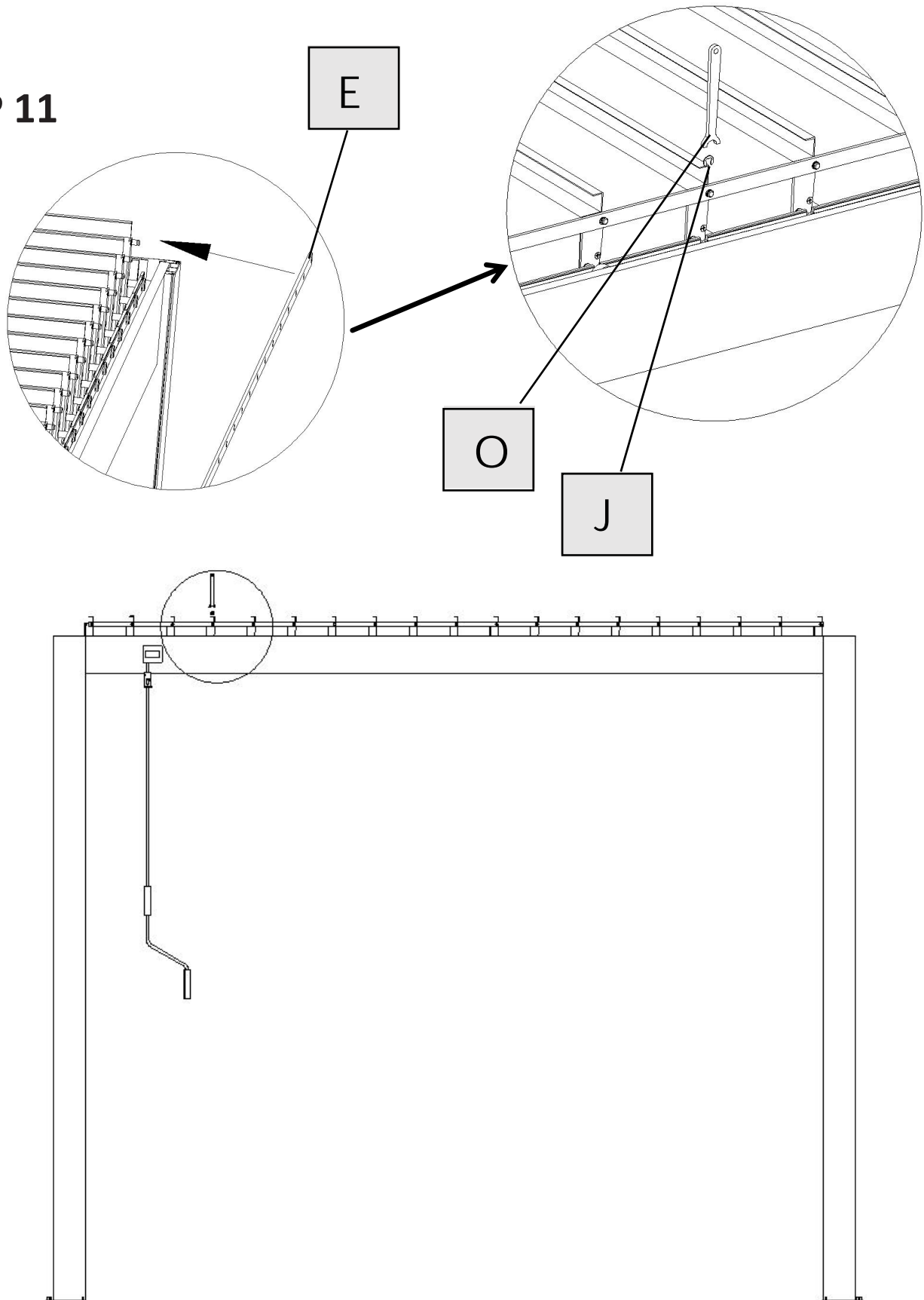


Position the remaining Louvres into the corresponding slots, as shown in the diagram.

ASSEMBLY INSTRUCTIONS

ASSEMBLY

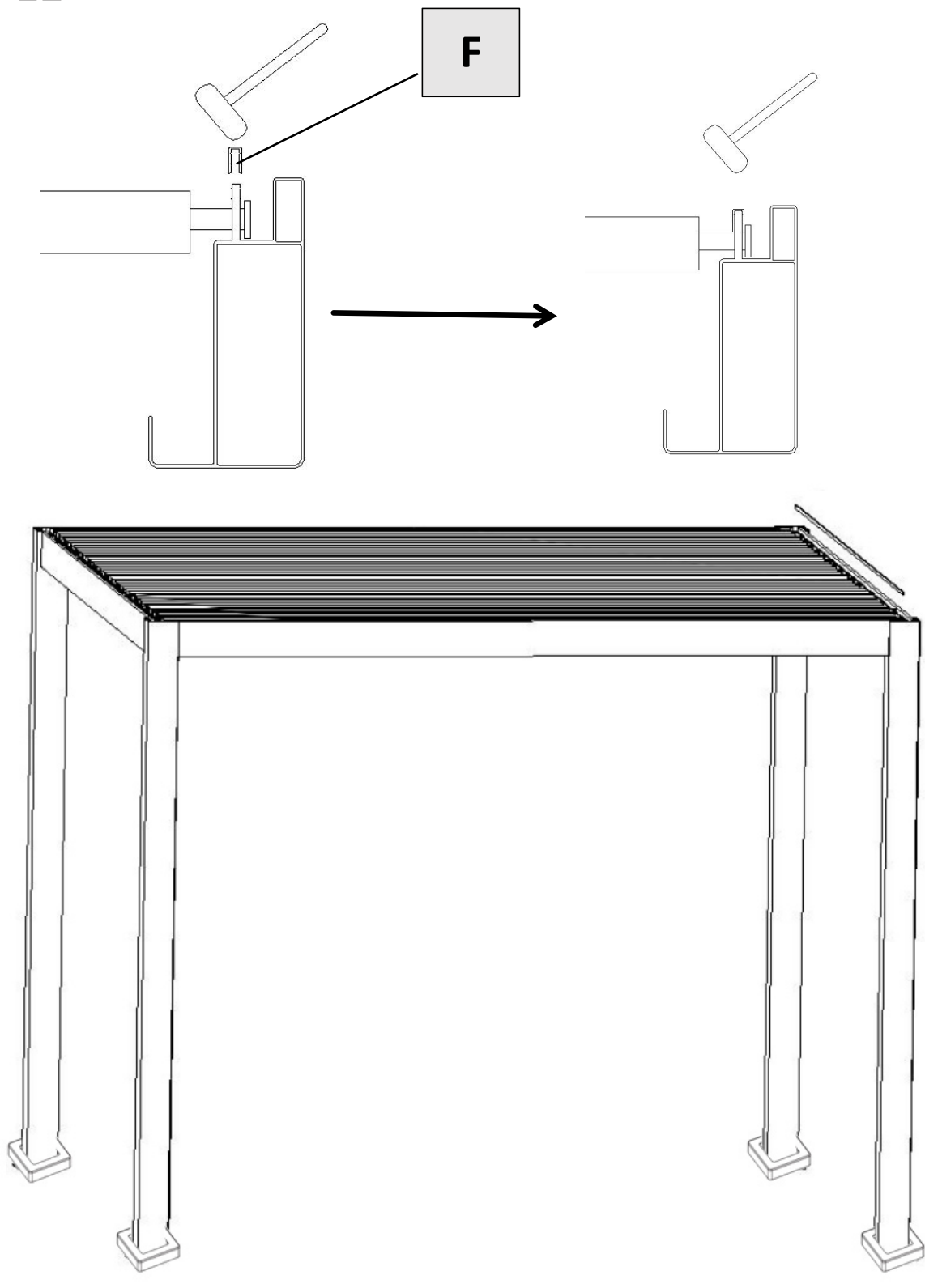
STEP 11



ASSEMBLY INSTRUCTIONS

ASSEMBLY

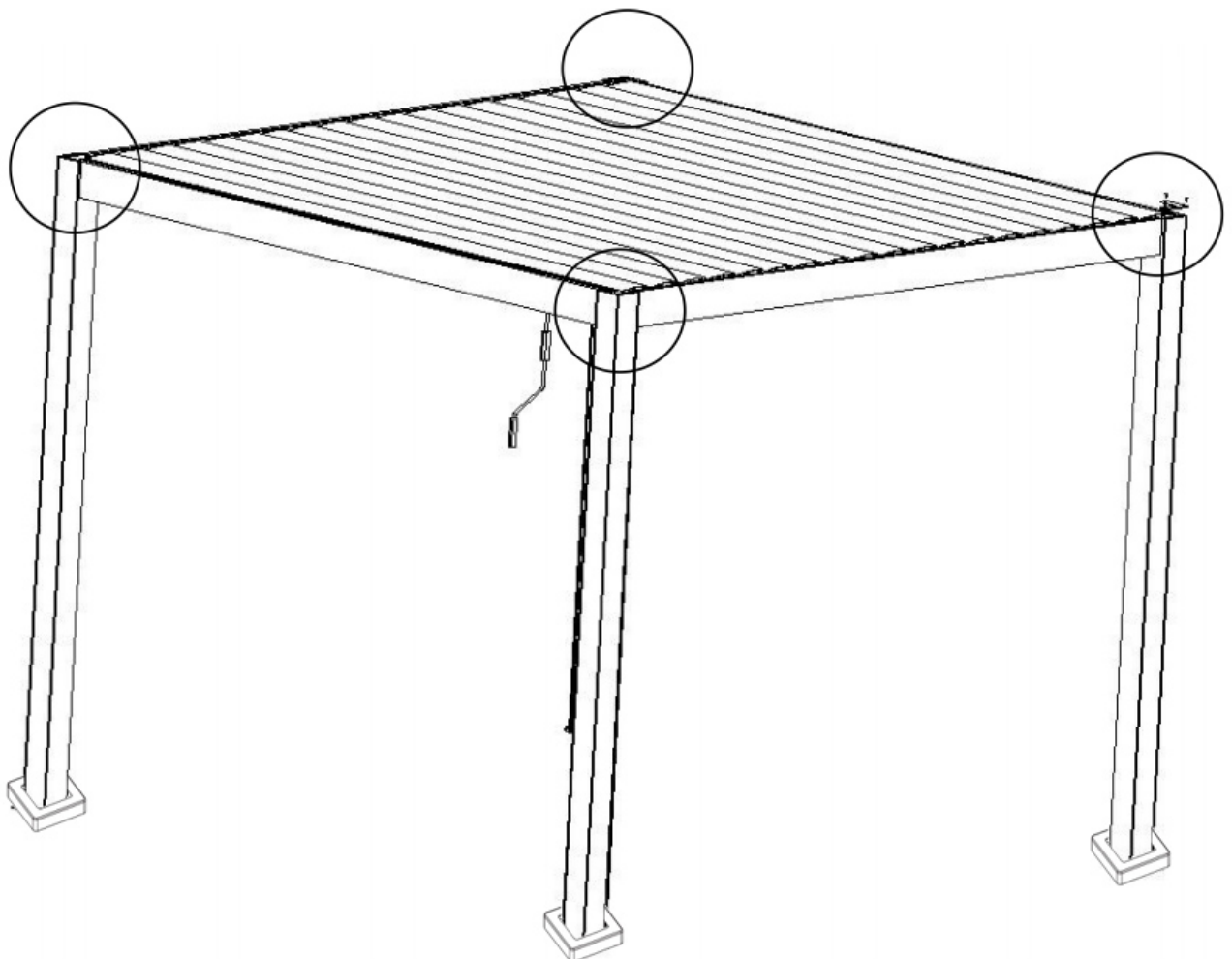
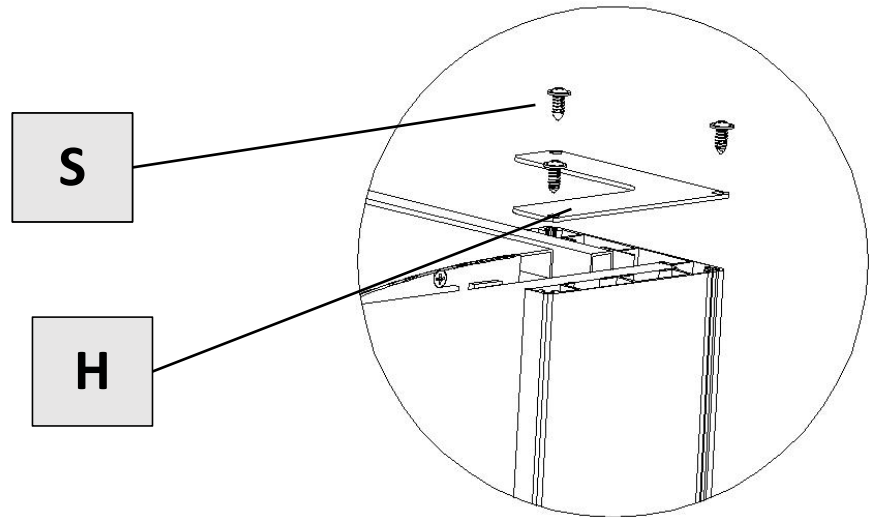
STEP 12



ASSEMBLY INSTRUCTIONS

ASSEMBLY

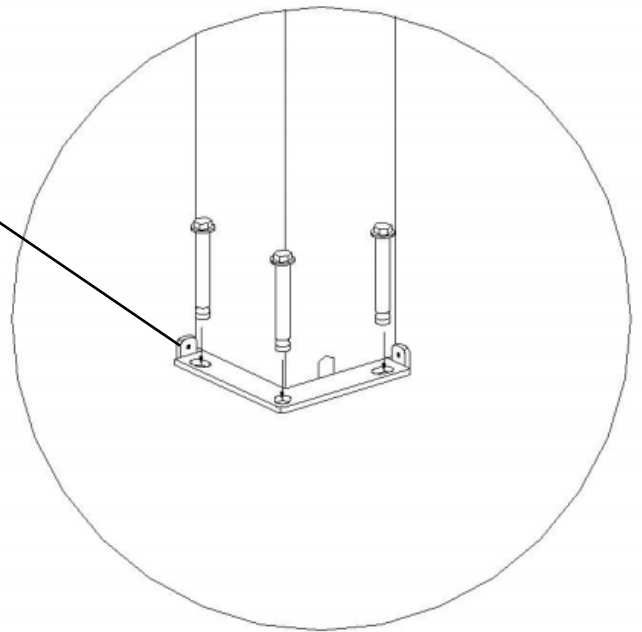
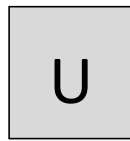
STEP 13



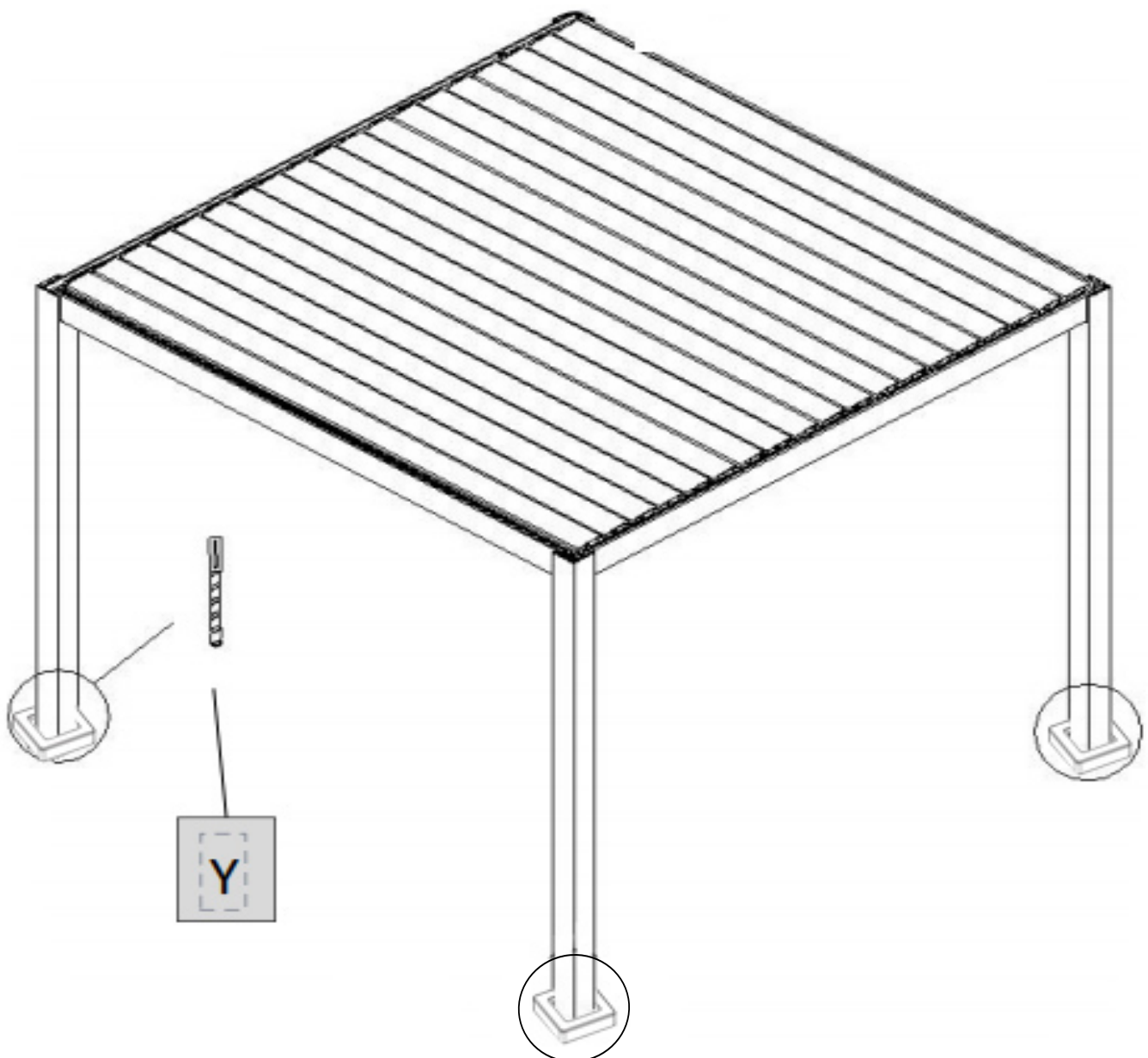
ASSEMBLY INSTRUCTIONS

ASSEMBLY

STEP 14



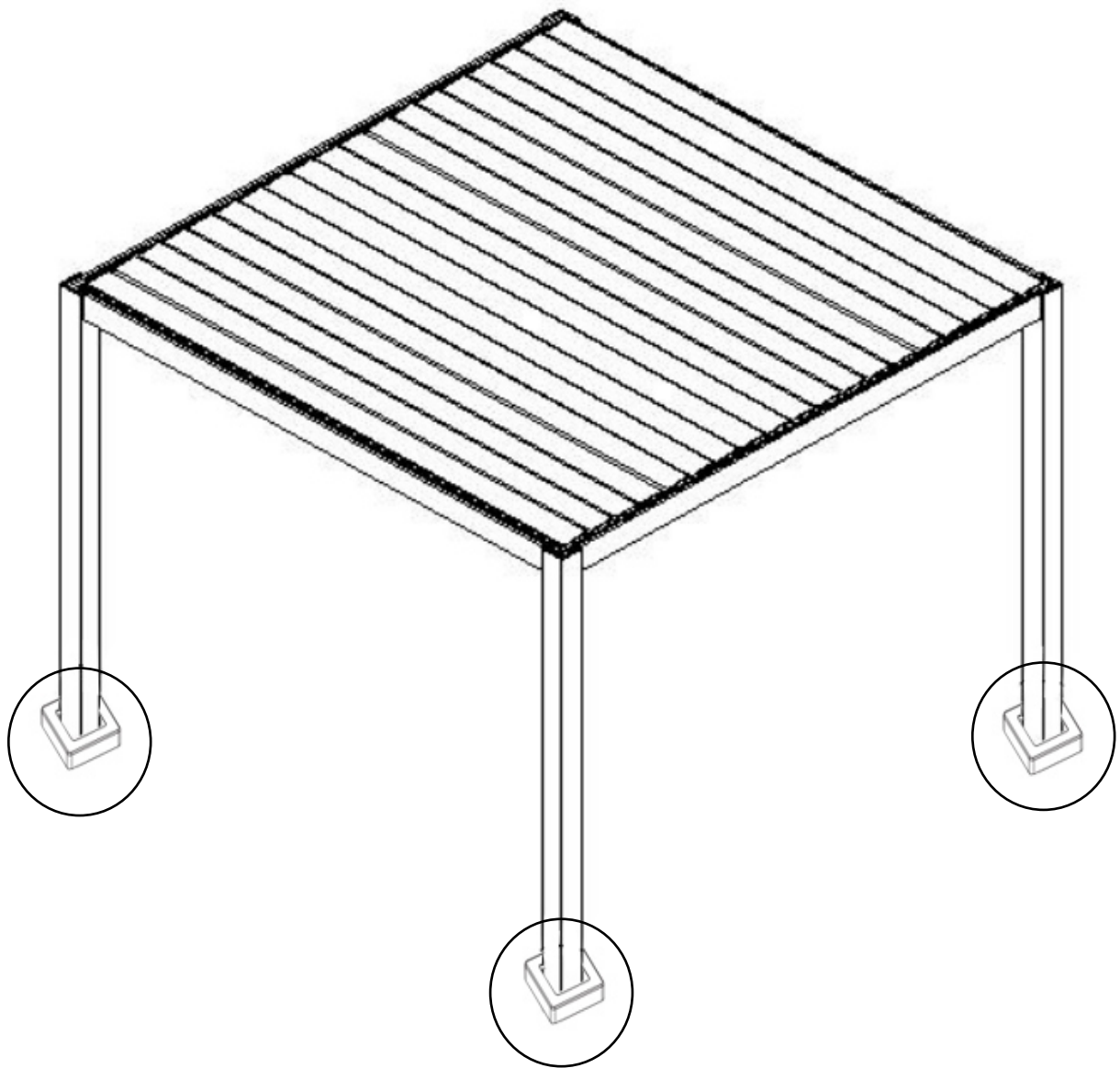
Secure the Pergola into the ground using the drill fittings.



ASSEMBLY INSTRUCTIONS

ASSEMBLY

STEP 15



ASSEMBLY INSTRUCTIONS

DIMENSIONS

