




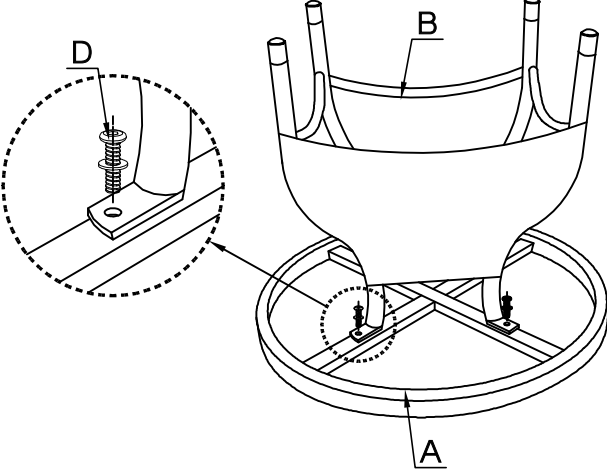


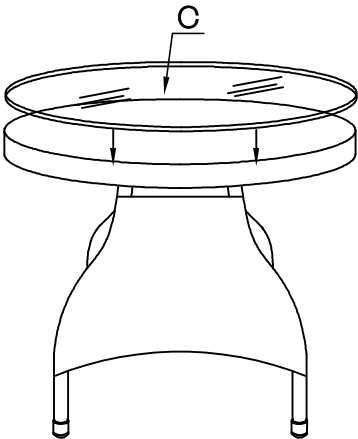
### Assembly instruction

A		1
B		1
C		1
D	 M6*25	4
E		1

①



②



③

