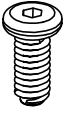


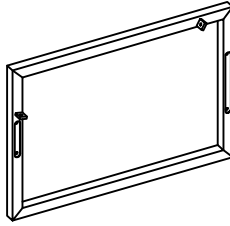
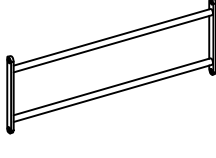
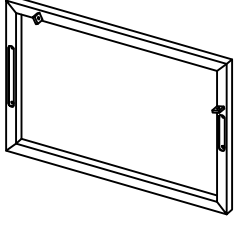
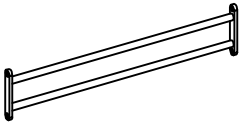
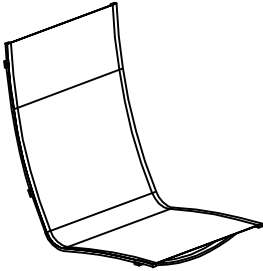
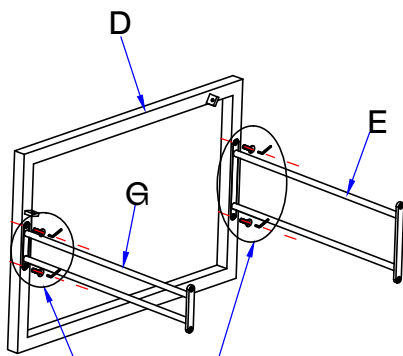
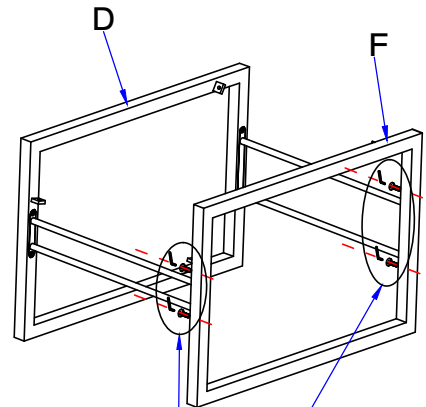


Assembly instruction

| A | B | C | D | E | F |
|--|--|---|---|--|---|
| A-bag screws | B-bag screws | | | | |
| Screw with plastic end | | | | | |
|  |  |  |  |  |  |
| M6*10 | M4 | M6*15 | 1PC | 1PC | 1PC |
| 4PCS | 1PC | 8PCS | | | |
| G | H | | | | |
|  |  | | | | |
| 1PC | 1PC | | | | |



Use the same method to assemble the other side

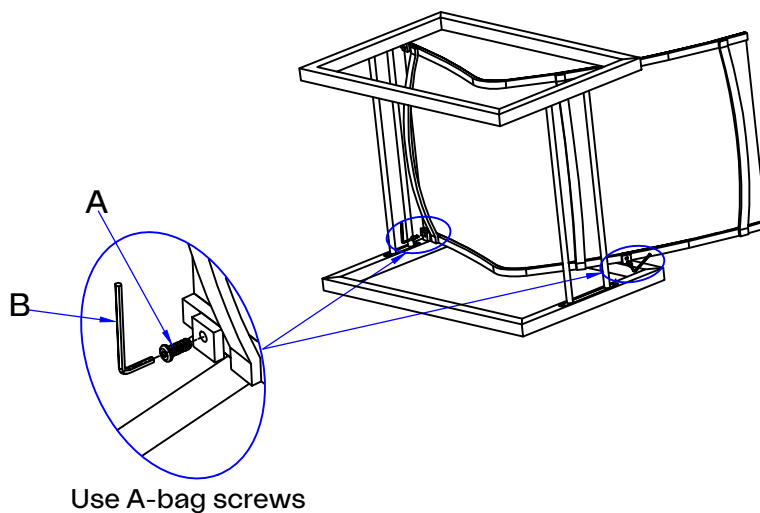


Don't tighten the screws until you have all screws on.

Use B-bag screws

Use B-bag screws

Assembly instruction



Please always use the screw "A" on seat.

Use the same method to assemble the other side

