

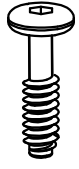
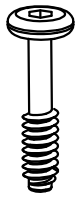
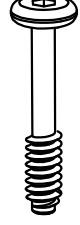

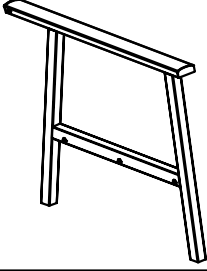
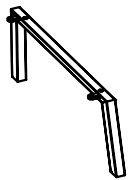
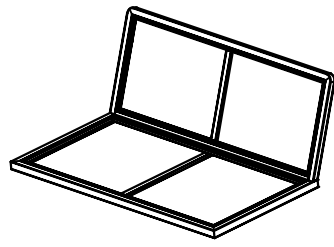


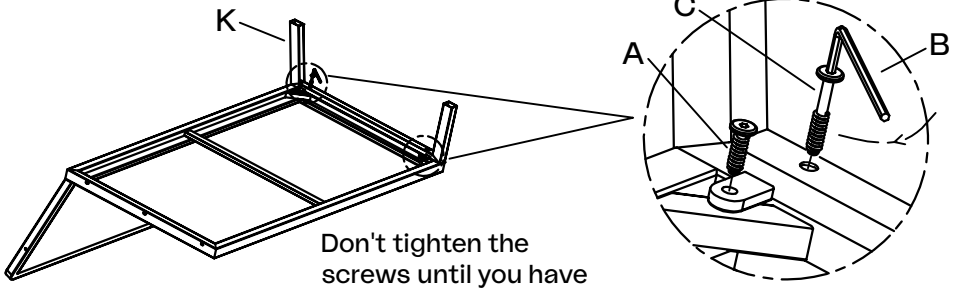
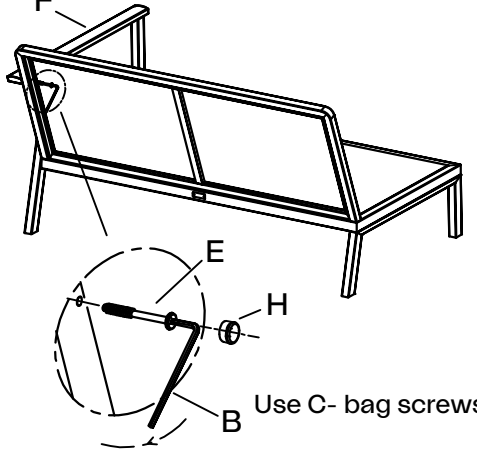
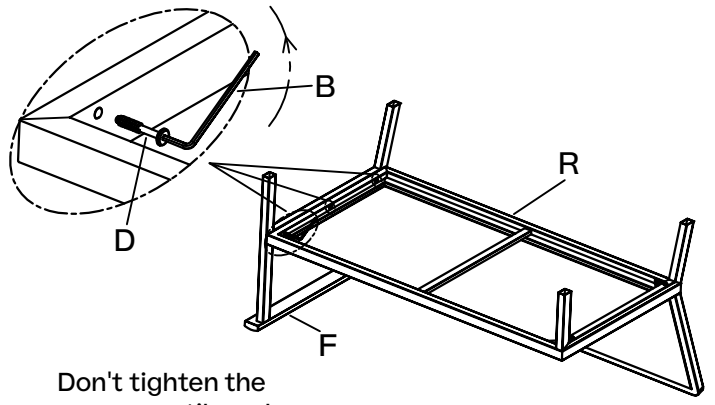
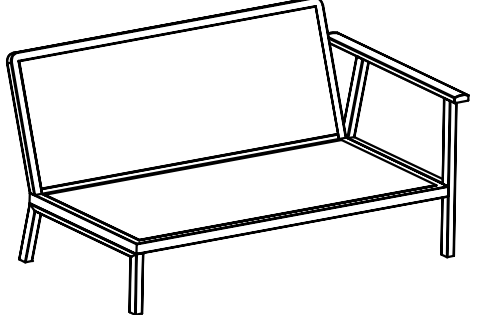


Assembly instruction



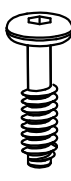
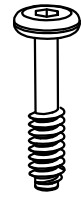
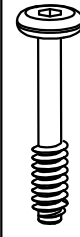

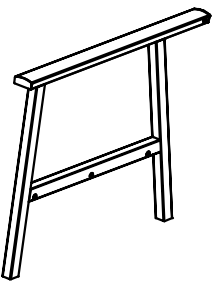
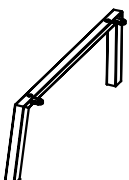
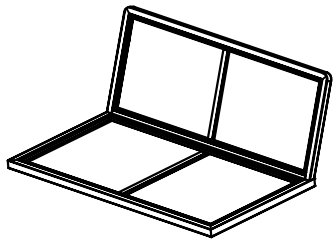
A	B	C	D	E	H	F	K	R
A-bag screws			B-bag screws	C-bag screws				
								
M6*25	4mm	M6*35	M6*45	M6*65				
2PCS	1PC	2PCS	3PCS	1PC	1PC	1PC	1PC	1PC



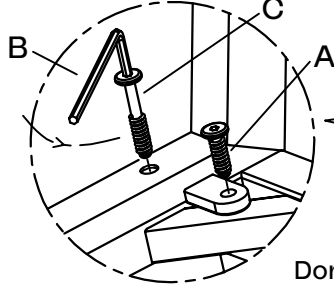
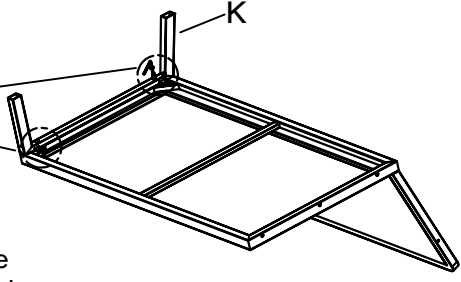
S	W		
			
2PCS	4PCS	<p>Don't tighten the screws until you have all screws on. Use A- bag screws</p>	

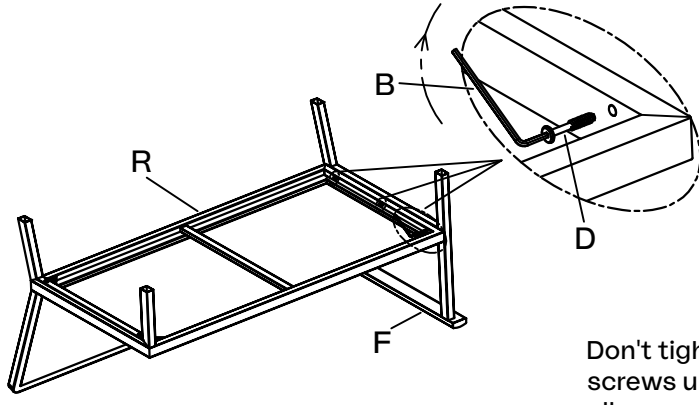
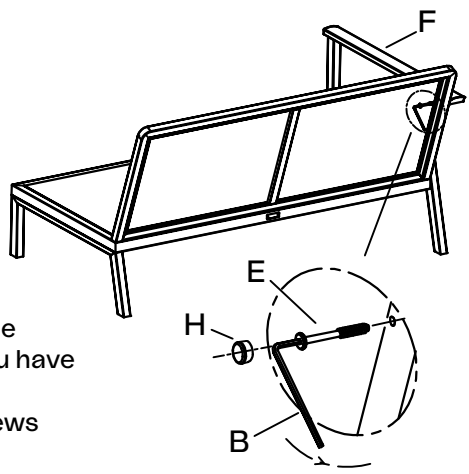
		<p>Use C- bag screws</p> <p>Don't tighten the screws until you have all screws on. Use B- bag screws</p>
---	--	--

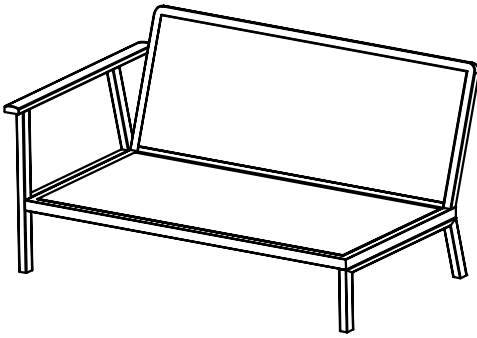


1

A	B	C	D	E	H	F	K	R
A-bag screws			B-bag screws	C-bag screws				
								
M6*25	4mm	M6*35	M6*45	M6*65				
2PCS	1PC	2PCS	3PCS	1PC	1PC	1PC	1PC	1PC

S	W		
			
2PCS	4PCS	<p>Don't tighten the screws until you have all screws on. Use A- bag screws</p>	

	
<p>Use C- bag screws</p>	<p>Don't tighten the screws until you have all screws on. Use B- bag screws</p>



2