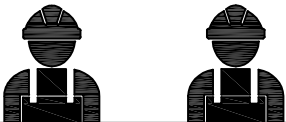
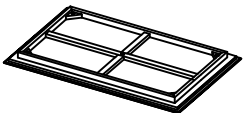
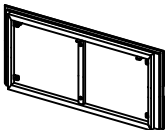
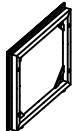
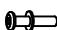
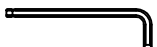
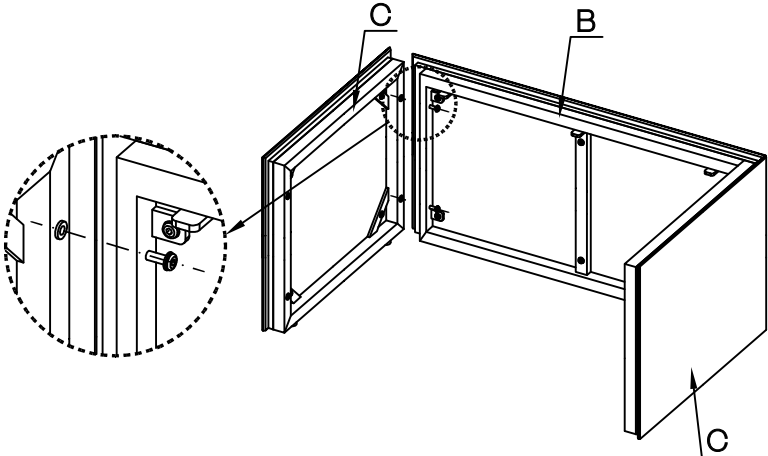
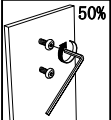


Assembly instruction

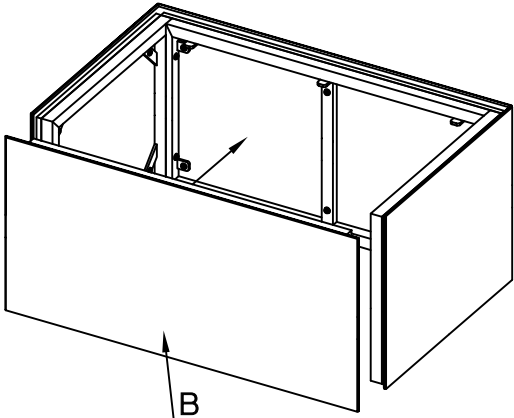
		
A		1
B		2
C		2
D	 M6*25	8
E		1

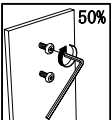
①





②



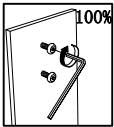
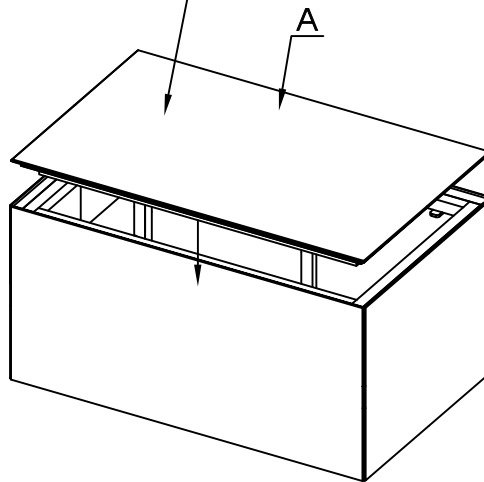


Assembly instruction

3

Caution, the plate is heavy.

Place plate carefully to prevent it from breaking.



4

