

FIESOLE AD45 ASSEMBLY MANUAL

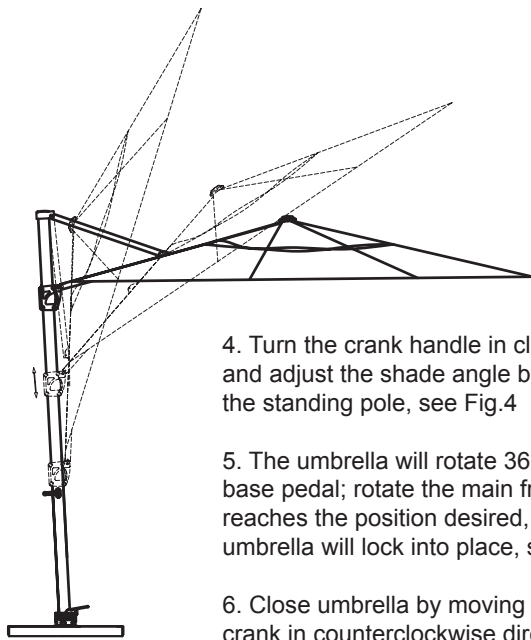


Fig.4

4. Turn the crank handle in clockwise direction to open the umbrella, and adjust the shade angle by moving the slider to different hole on the standing pole, see Fig.4

5. The umbrella will rotate 360 degrees by simply stepping on the base pedal; rotate the main frame by hand. When the umbrella reaches the position desired, release the foot pedal and the umbrella will lock into place, see Fig.5

6. Close umbrella by moving the slider to bottom hole, and turn the crank in counterclockwise direction, see Fig.6

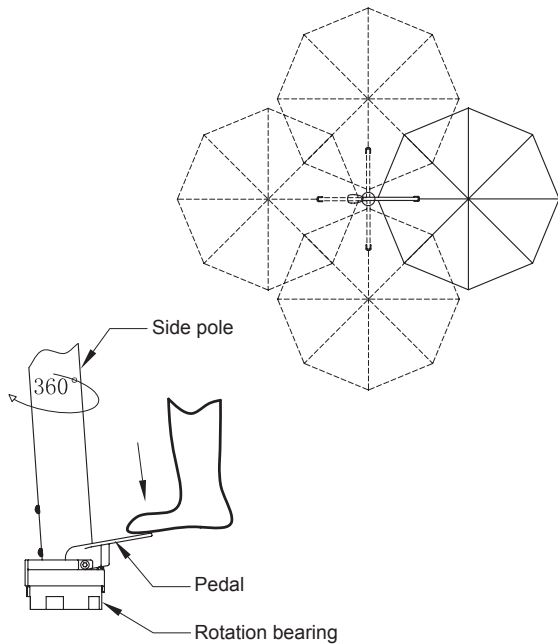
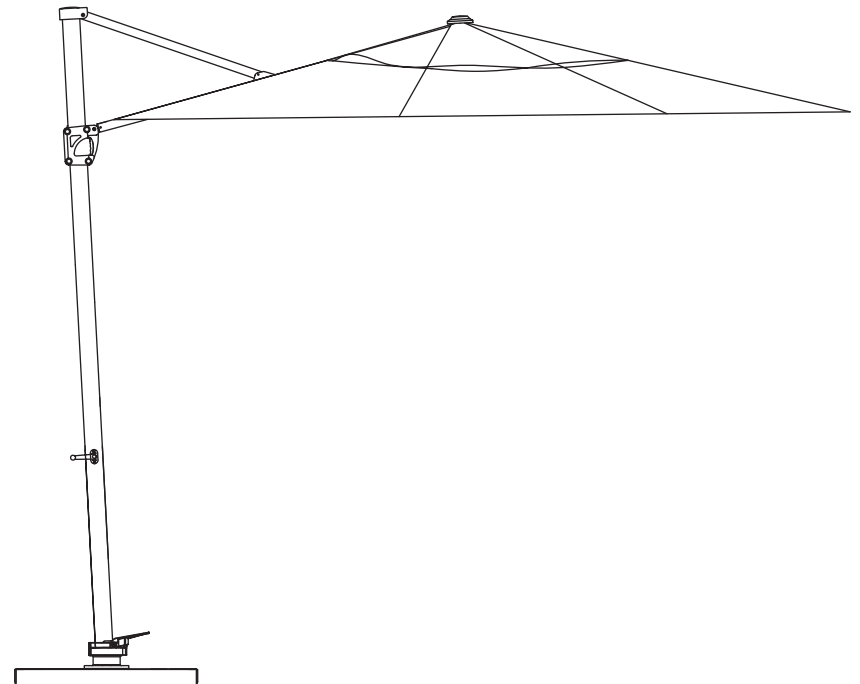


Fig.5



Fig.6

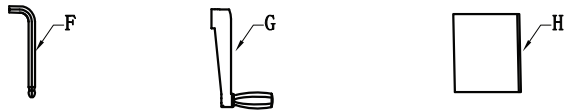
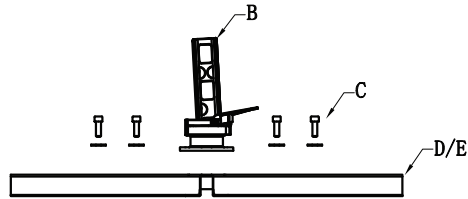


⚠ CAUTION:

1. Make sure the weight to cross base is heavy enough before open the umbrella.
2. When moving the slider, make sure the plastic part on the handle has been pressed down. Otherwise, the pin inside will scratch the pole.
3. When the parasol is fully opened, do not over turn the crank handle for avoiding any damage.
4. Close the umbrella in windy or rainy day.

UMBRELLA COMPONENTS

Ref.	Components	Qty.
A	Umbrella	1
B	Rotation bearing	1
C	Screws/Washer	4
D	Cross base	1
E	Cross base	1
F	6# wrench	1
G	Crank handle	1
H	Assembly Manual	1
I	2.5# Spanner	1
J	Bolts / Washer	2



ASSEMBLY INSTRUCTION

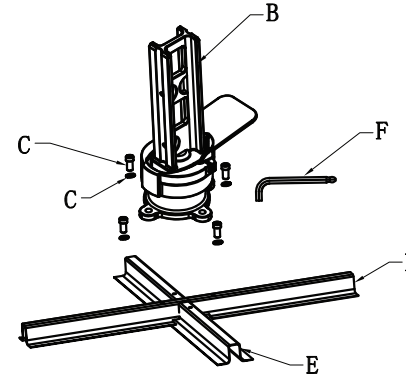


Fig.1

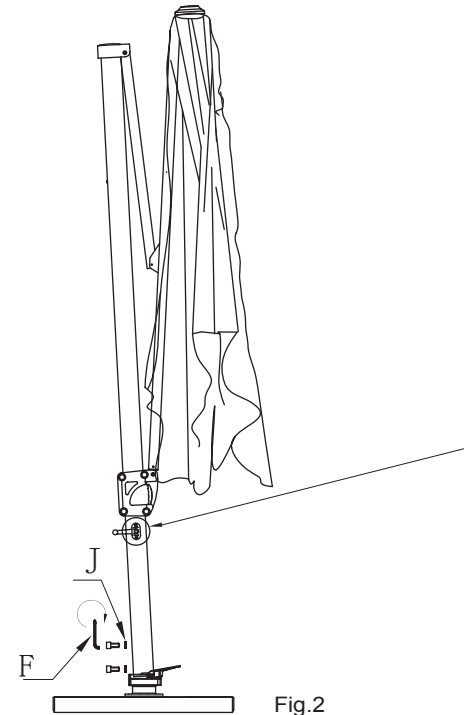


Fig.2

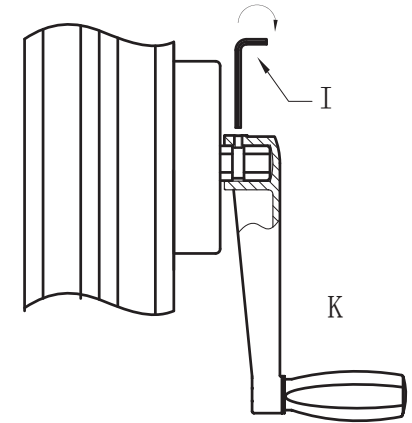


Fig.3

1. Assemble the two Cross base (D&E) together, then put the rotation bearing onto the cross base, see Fig.1
2. Position the completed umbrella assembly onto the top of the Rotate Bearing, see Fig.2
3. Assemble the crank handle to slide hinge, see Fig.3