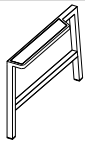
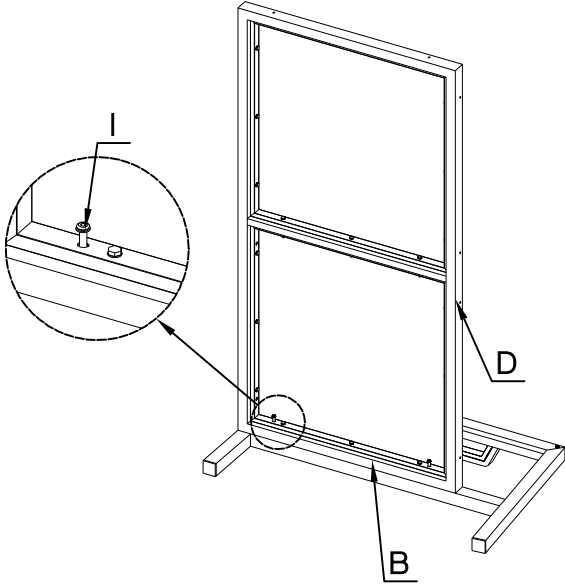
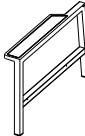
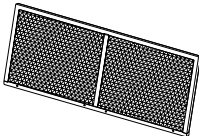
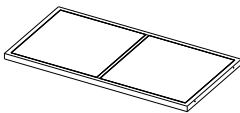

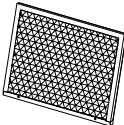

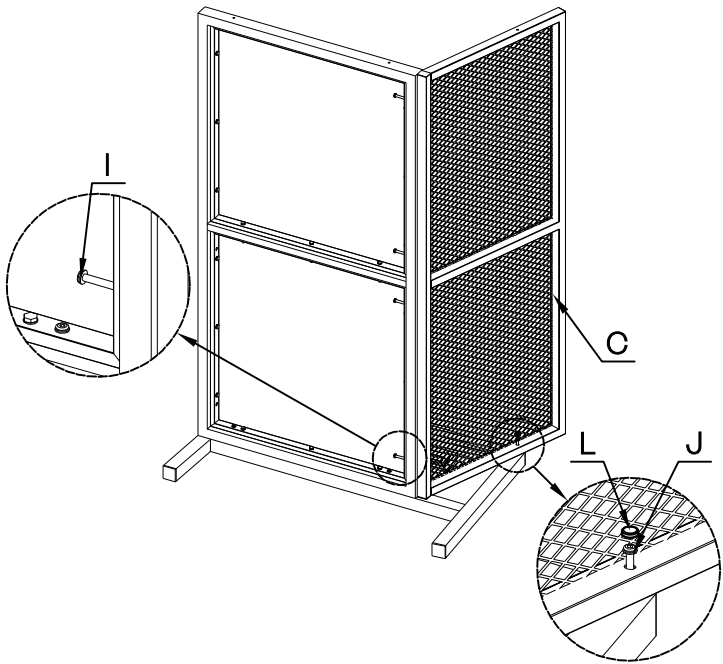
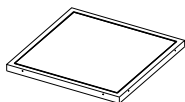
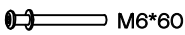




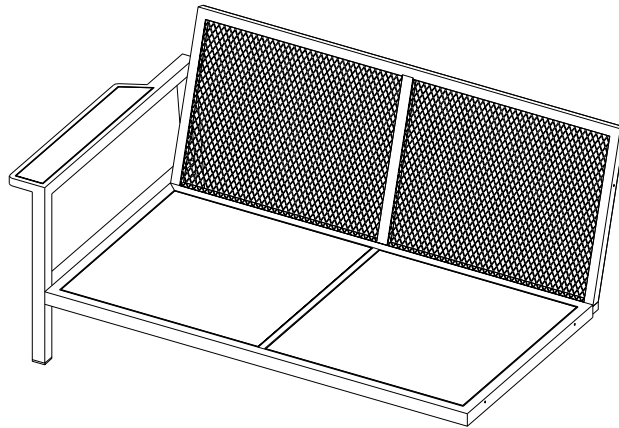


### Assembly instruction

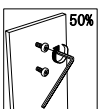
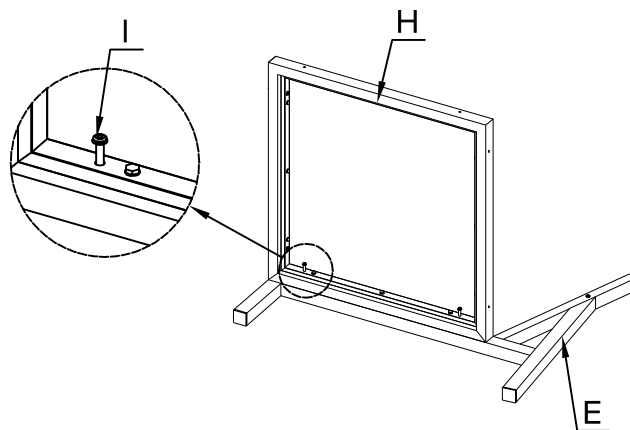
A		1	<p>①</p> 
B		1	
C		2	
D		2	
E		2	
F		2	
G		1	<p>②</p> 
H		1	
I	 M6*60	24	
J	 M6*35	8	
K	 M6*20	2	
L		8	
M		1	

### Assembly instruction

3

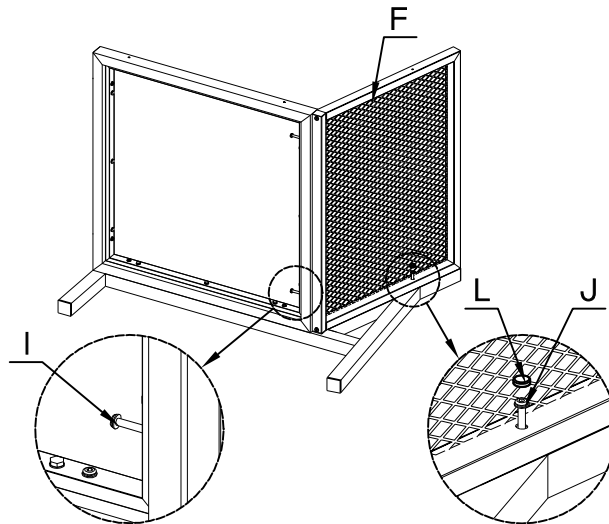


4

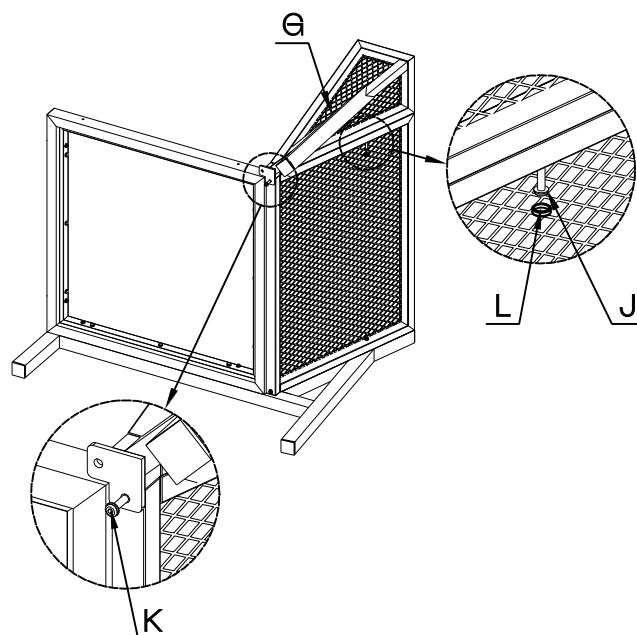


### Assembly instruction

5

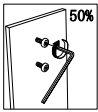
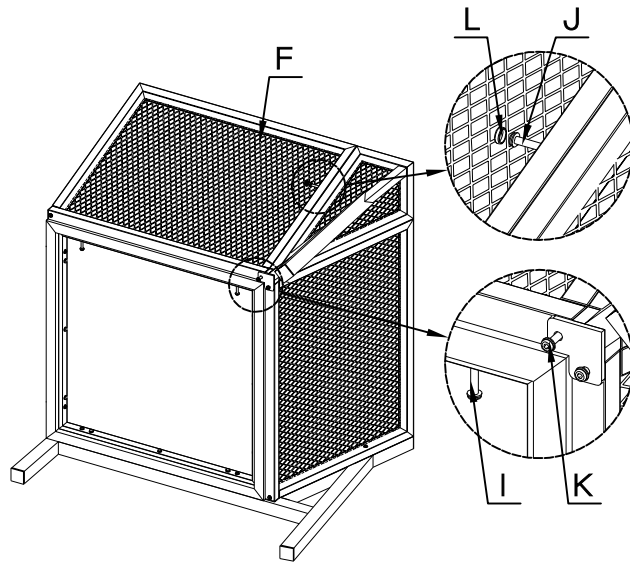


6

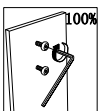
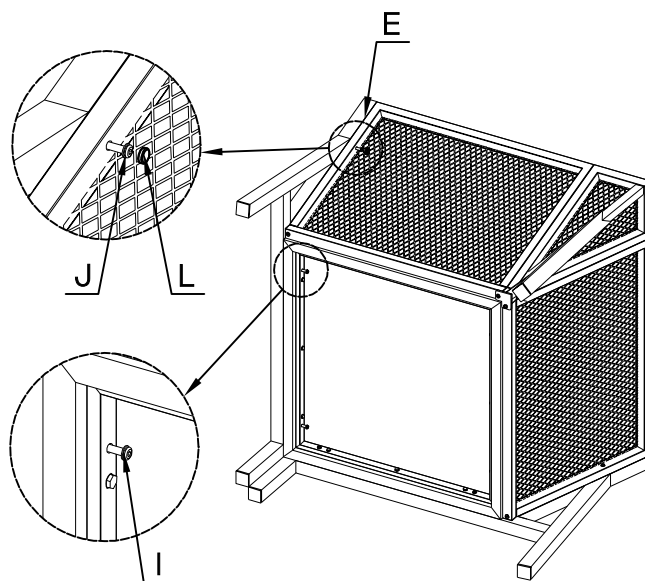


### Assembly instruction

7

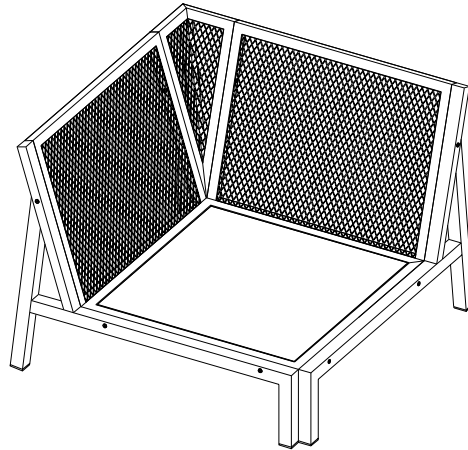


8

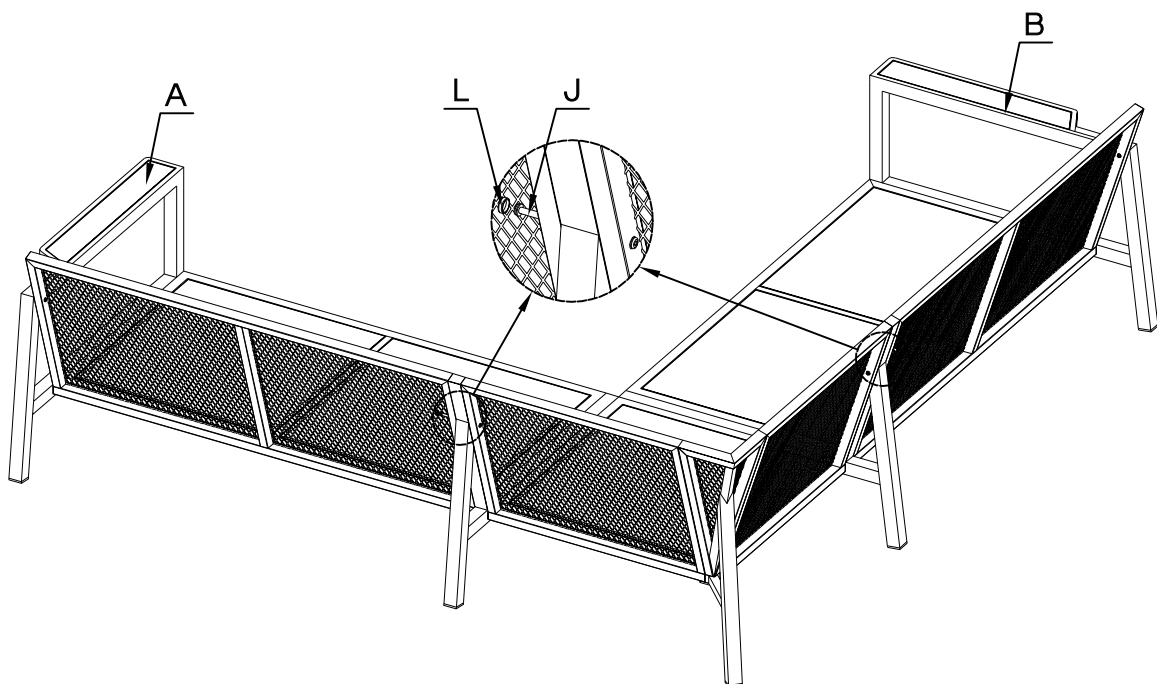


### Assembly instruction

9



10



**Assembly instruction**

11

