
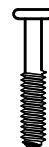


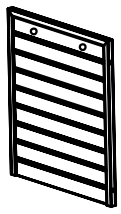
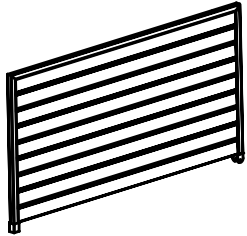
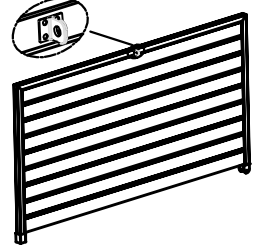
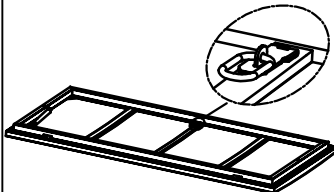

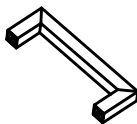
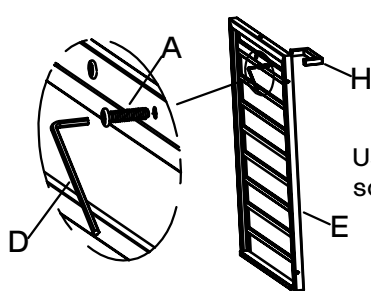
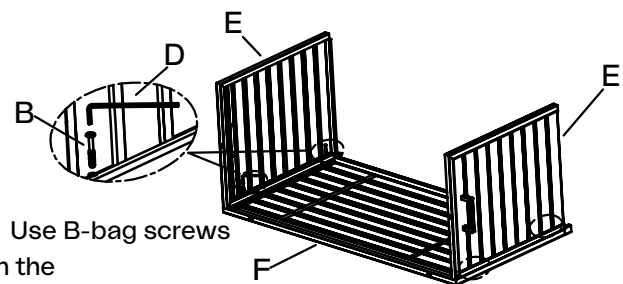


Assembly instruction

A	B	C	D	E	F	K
A-bag screws	B-bag screws	C-bag screws				
						
M6*25	M6*45	M6*50	4mm			
4PCS	8PCS	6PCS	1PC	2PCS	1PC	1PC
R			Y		H	
						
1PC			1PC		2PCS	

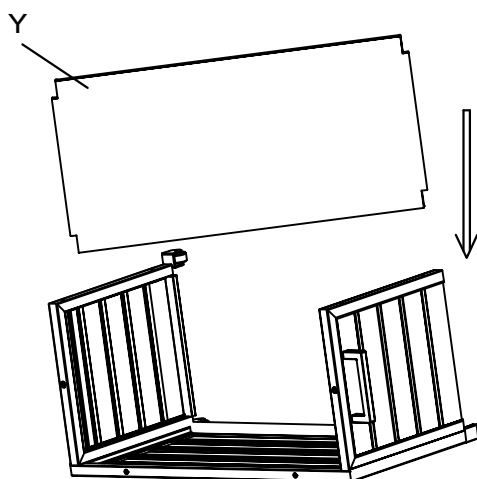


Use A-bag screws

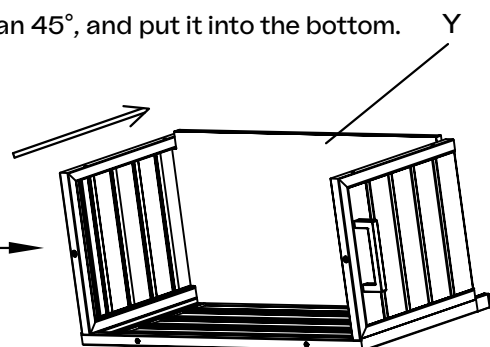


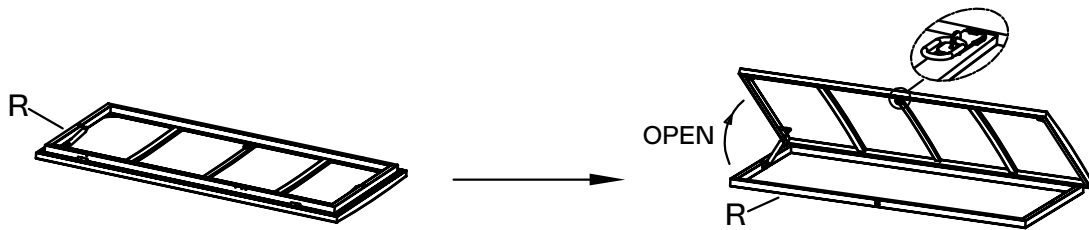
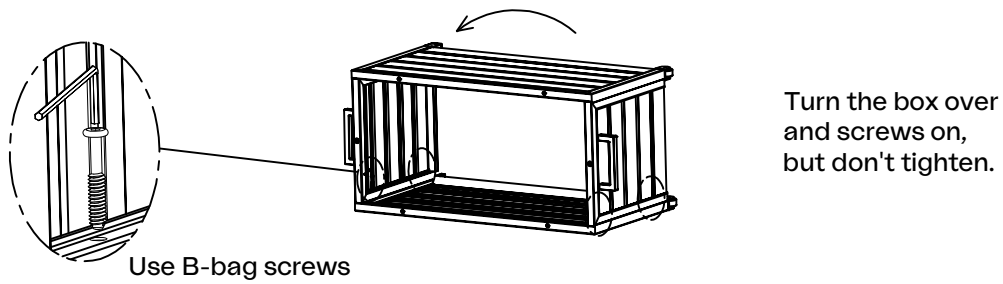
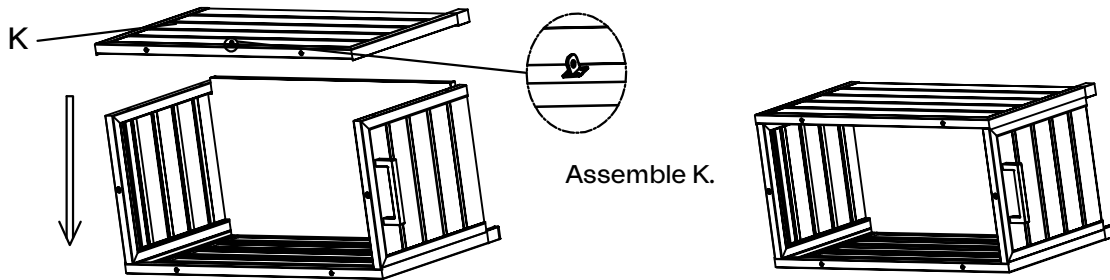
Use B-bag screws

Don't tighten the screws until you have all screws on.



Place Y lean 45°, and put it into the bottom.





Use C-bag screws
Don't tighten the screws until you have all screws on.

